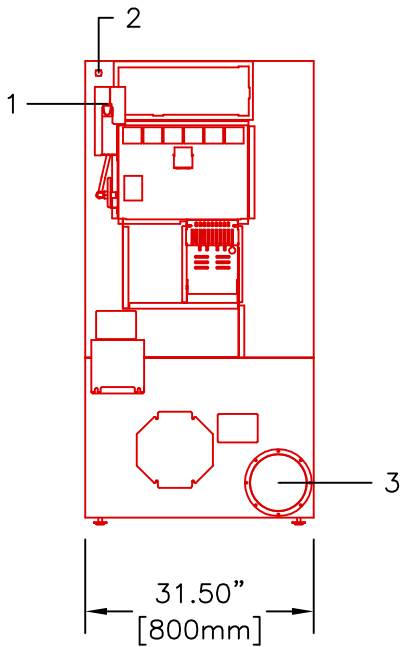
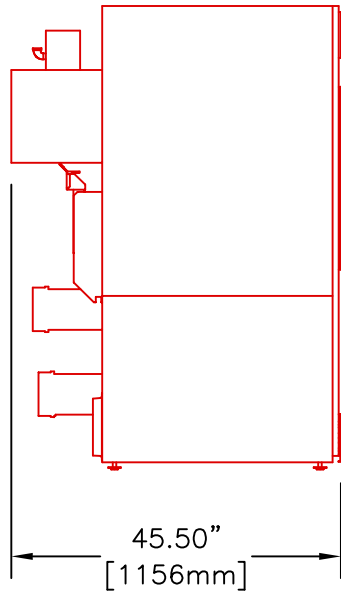


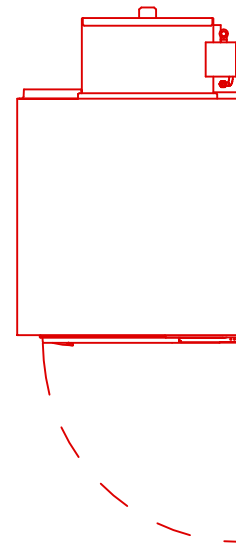
LEGEND:
1: GAS INLET
2: 0.875 ELECTRICAL
3: EXHAUST OUTLET



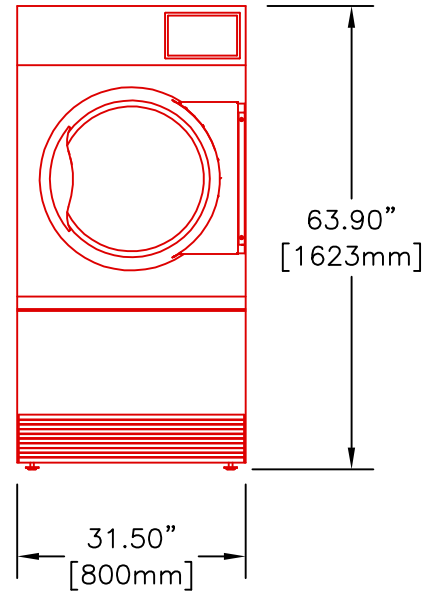
REAR VIEW



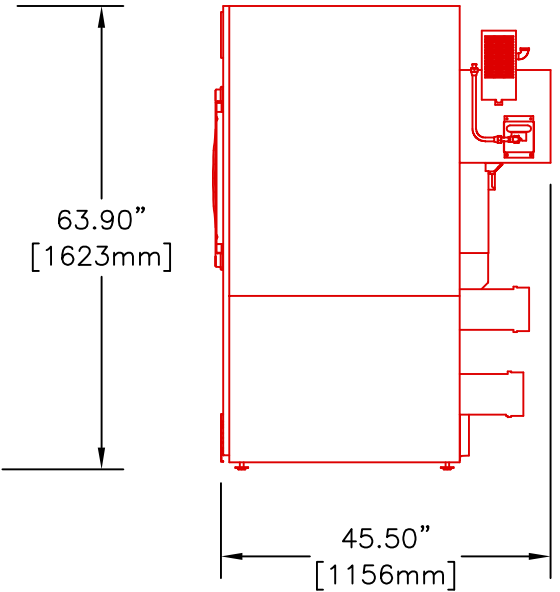
LEFT SIDE VIEW



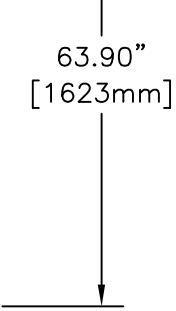
PLAN VIEW



FRONT VIEW



RIGHT SIDE VIEW



35 LB. TUMBLE DRYER (GAS HEATED)



Equipment specifications are subject to change without notice. Please use this drawing along with the installation manuals for updated equipment installation requirements.

KRP	CAD BLOCK	6-Apr-18
Drawn by	Description	Date