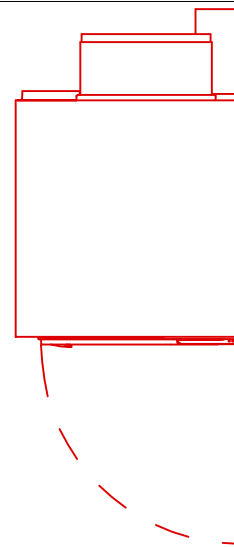
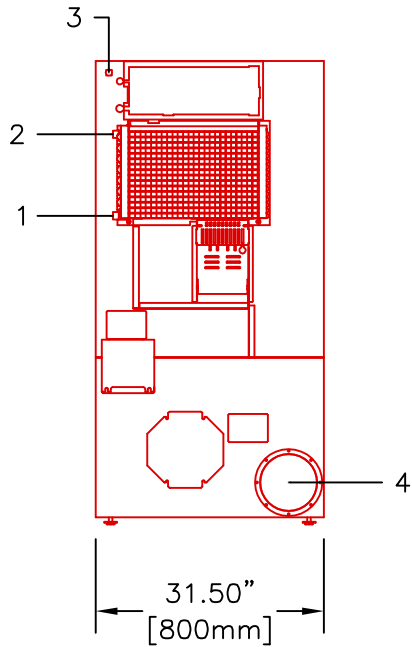


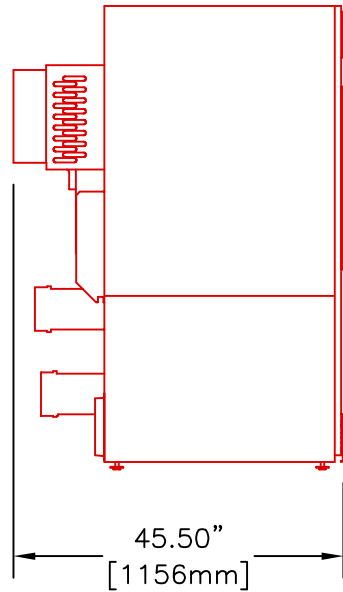
LEGEND:	
1:	STEAM OUTLET
2:	STEAM INLET
3:	0.875 ELECTRICAL
4:	EXHAUST OUTLET



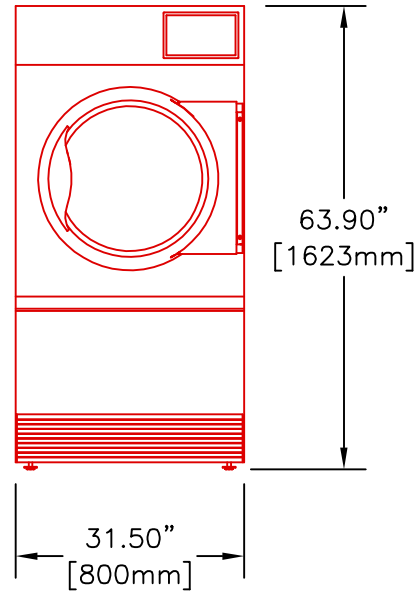
PLAN VIEW



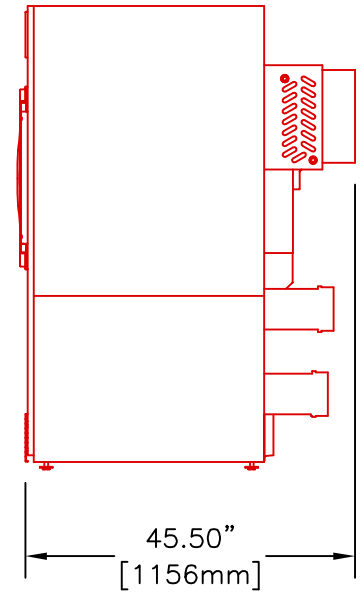
REAR VIEW



LEFT SIDE VIEW



FRONT VIEW



RIGHT SIDE VIEW

# 35 LB. TUMBLE DRYER (STEAM HEATED)



Equipment specifications are subject to change without notice. Please use this drawing along with the installation manuals for updated equipment installation requirements.

KRP	CAD BLOCK	6-Apr-18
Drawn by	Description	Date