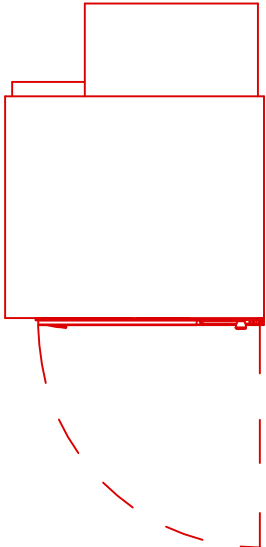
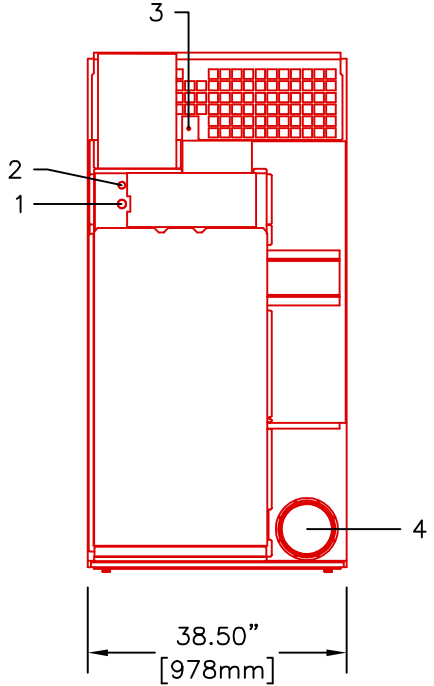


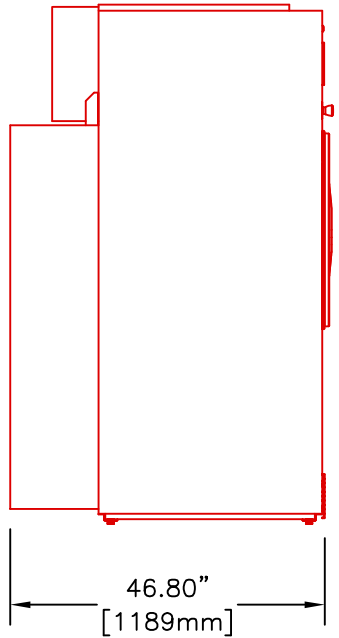
LEGEND:	
1:	1.125 ELECTRICAL
2:	0.875 ELECTRICAL
3:	GAS INLET
4:	EXHAUST OUTLET



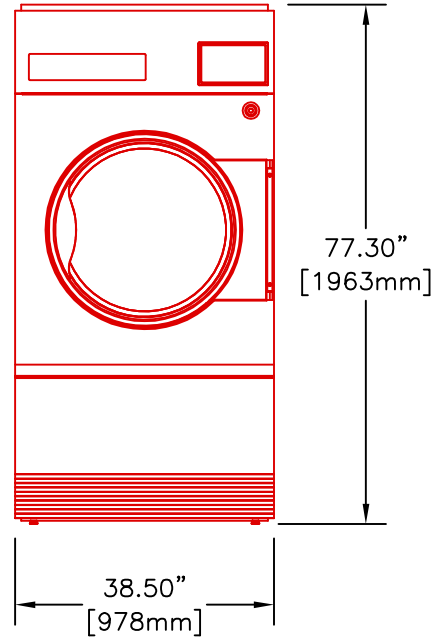
PLAN VIEW



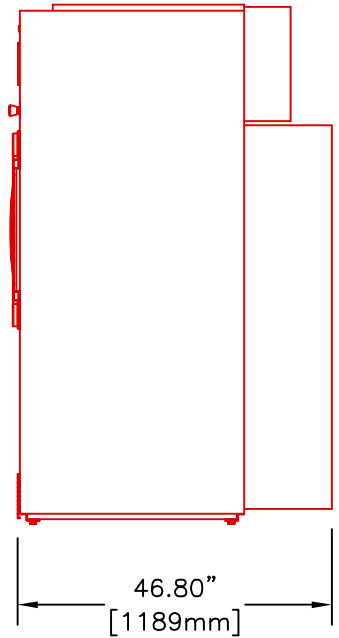
REAR VIEW



LEFT SIDE VIEW



FRONT VIEW



RIGHT SIDE VIEW

# 50 LB. TUMBLE DRYER (GAS HEATED)



Equipment specifications are subject to change without notice. Please use this drawing along with the installation manuals for updated equipment installation requirements.

KRP	CAD BLOCK	3-Apr-18
Drawn by	Description	Date