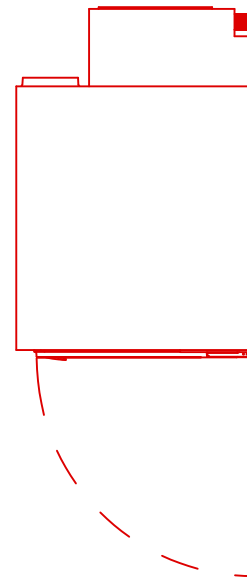
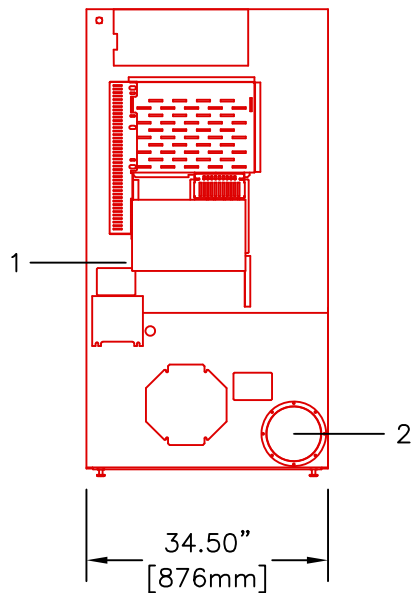


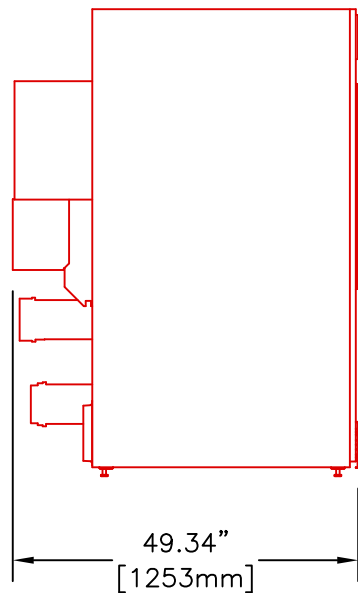
LEGEND:
1: 1.375 ELECTRICAL
2: EXHAUST OUTLET



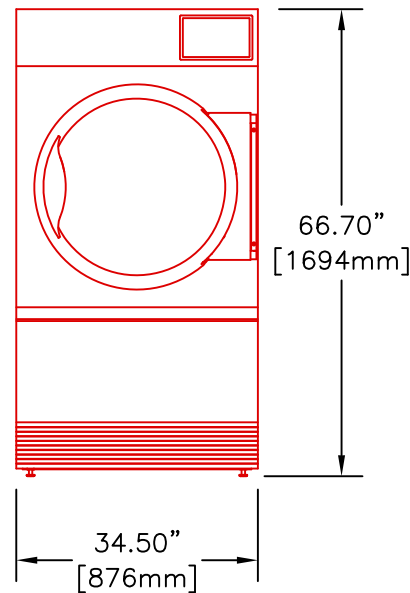
PLAN VIEW



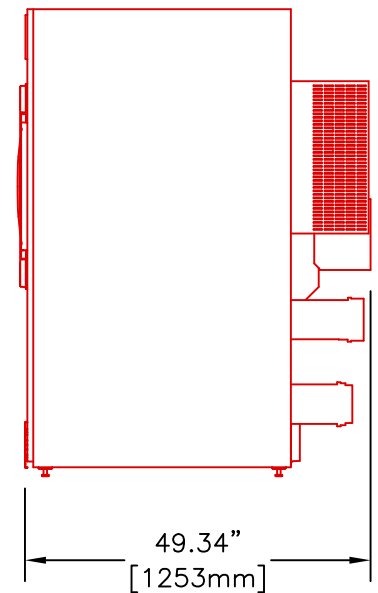
REAR VIEW



LEFT SIDE VIEW



FRONT VIEW



RIGHT SIDE VIEW

55 LB. TUMBLE DRYER (ELECTRIC HEATED)



Equipment specifications are subject to change without notice. Please use this drawing along with the installation manuals for updated equipment installation requirements.

KRP	CAD BLOCK	31-Jul-18
Drawn by	Description	Date