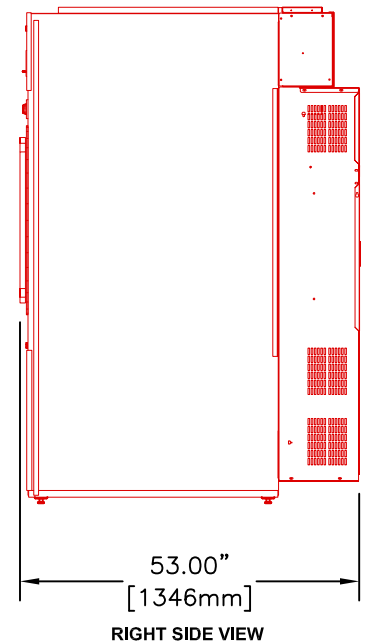
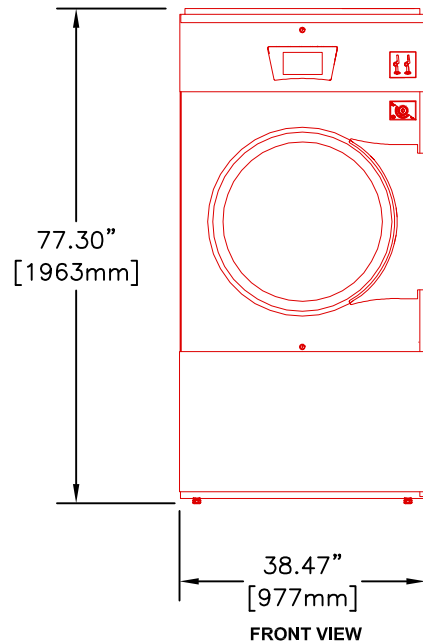
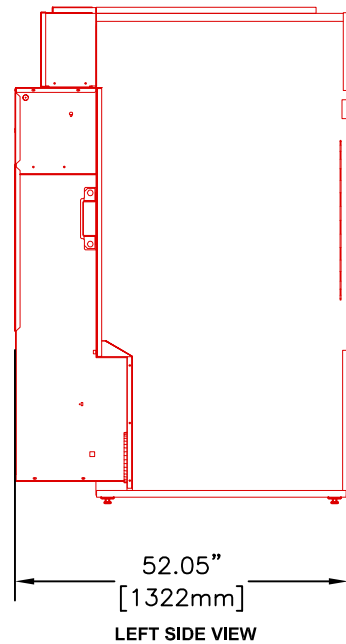
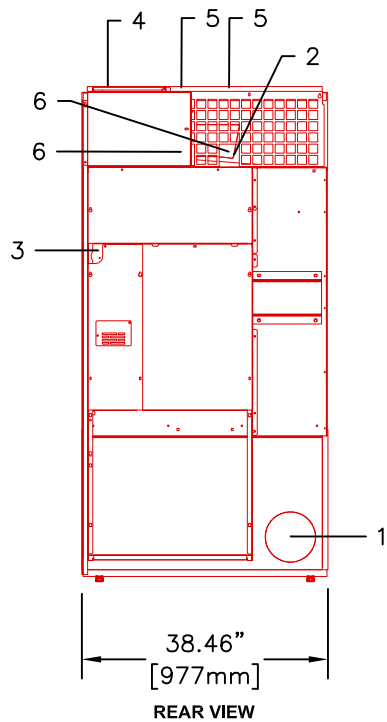
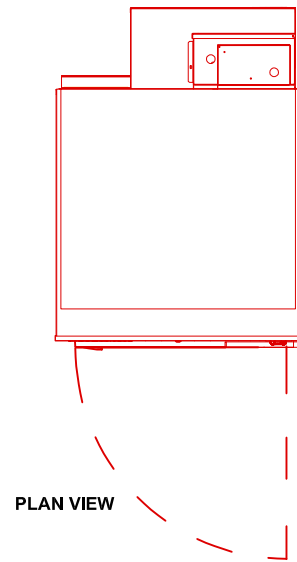


LEGEND:

1: EXHAUST
GAS:
 2: GAS INLET
 3: 0.875" ELECTRICAL
ELECTRIC:
 4: 1.375" ELECTRICAL
STEAM:
 5: STEAM INLET
 6: STEAM OUTLET



75 LB. TUMBLE DRYER (UT075)



Equipment specifications are subject to change without notice. Please use this drawing along with the installation manuals for updated equipment installation requirements.

KRP	CAD BLOCK	13-Apr-22
Drawn by	Description	Date