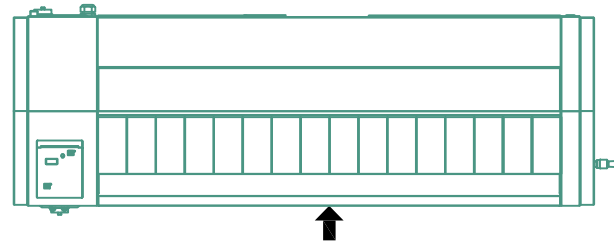
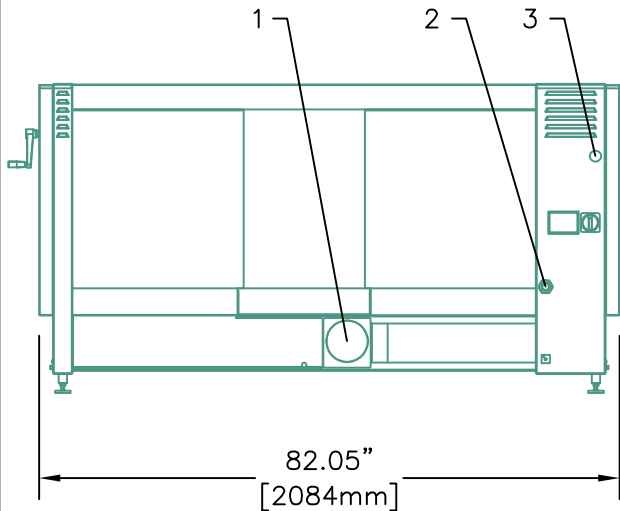


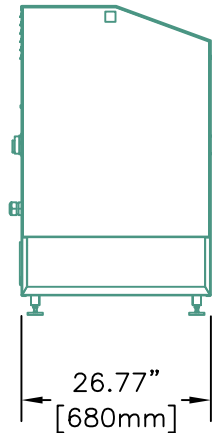
<b>LEGEND:</b>
1: EXHAUST OUTLET
2: ELECTRICAL CONNECTION
3: GAS INLET



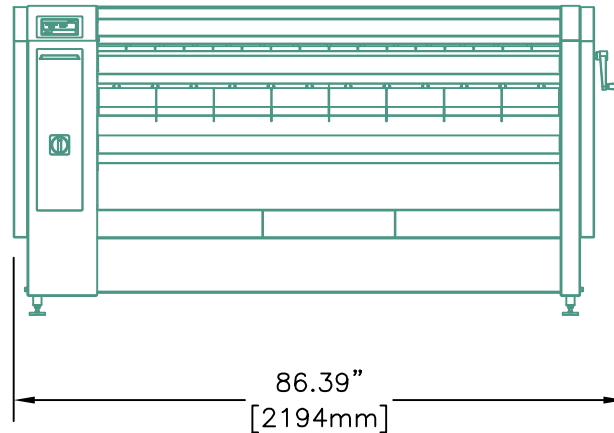
PLAN VIEW



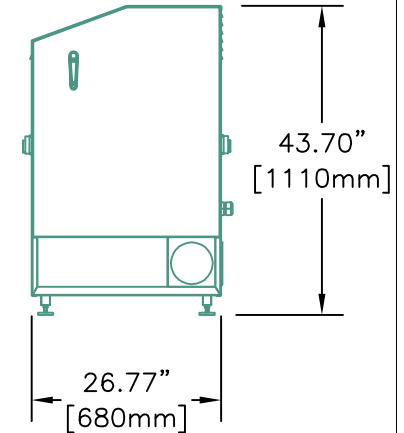
REAR VIEW



LEFT SIDE VIEW



FRONT VIEW



RIGHT SIDE VIEW

# 13" ROLL, 66" FINISHING WIDTH IRONER



Equipment specifications are subject to change without notice. Please use this drawing along with the installation manuals for updated equipment installation requirements.

Drawn by	KRP	CAD BLOCK
		Description
		Date
		2-Oct-17