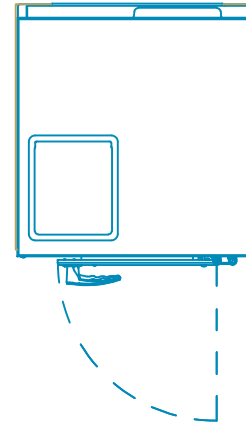
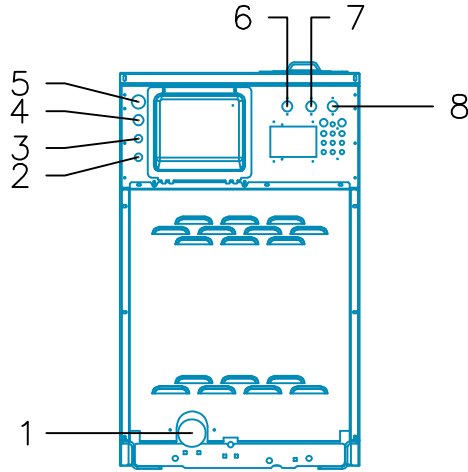


LEGEND:

- | | |
|----------------------|-------------------------|
| 1: DRAIN OUTLET | 5: 1 1/2" ELECTRICAL |
| 2: 7/8" ELECTRICAL | 6: COLD FILL VALVE |
| 3: 7/8" ELECTRICAL | 7: HOT FILL VALVE |
| 4: 1 1/8" ELECTRICAL | 8: COLD HARD FILL VALVE |

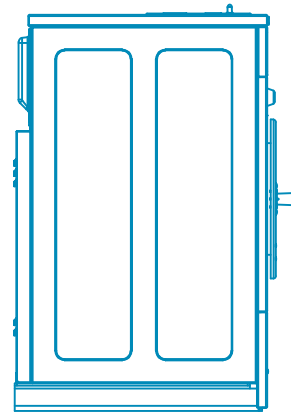


PLAN VIEW



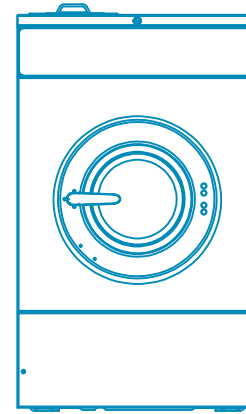
REAR VIEW

26.00"
[660mm]



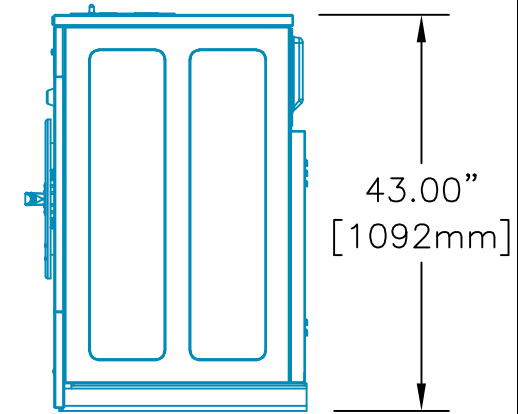
LEFT SIDE VIEW

27.39"
[696mm]



FRONT VIEW

26.00"
[660mm]



RIGHT SIDE VIEW

**20 LB. CABINET HARDMOUNT
WASHER-EXTRACTOR
(UCT020)**



Equipment specifications are subject to change without notice. Please use this drawing along with the installation manuals for updated equipment installation requirements.

KRP	CAD BLOCK	14-Apr-22
Drawn by	Description	Date