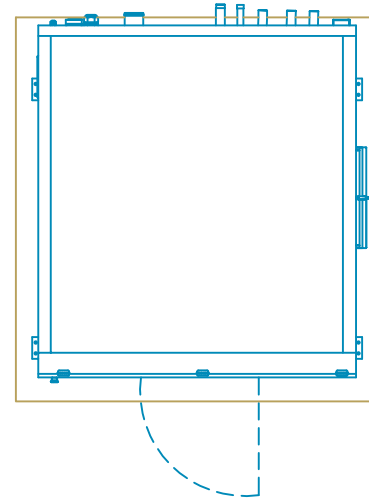
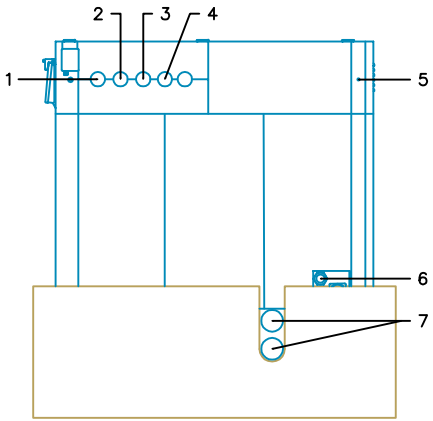


LEGEND:	
1: HARD COLD WATER INLET	5: COMPRESSED AIR INLET
2: SOFT COLD WATER INLET	6: ENTRY MAIN POWER
3: HOT WATER INLET	7: DRAIN OUTLETS
4: STEAM INLET	

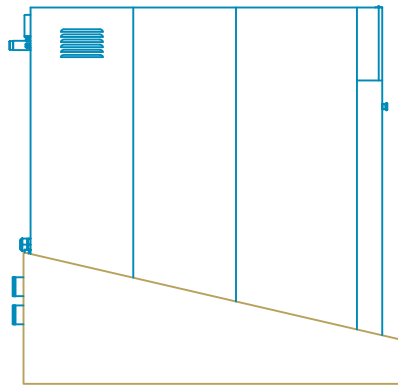


PLAN VIEW



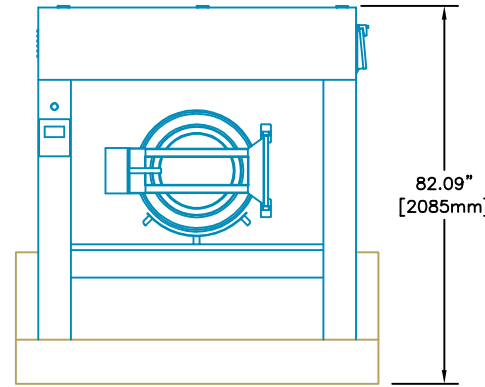
78.75"
[2000mm]

REAR VIEW



82.10"
[2085mm]

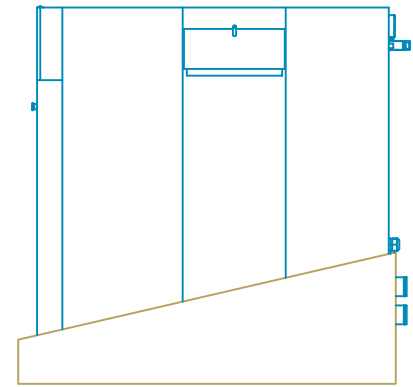
LEFT SIDE VIEW



82.09"
[2085mm]

78.74"
[2000mm]

FRONT VIEW



82.10"
[2085mm]

RIGHT SIDE VIEW

275 lb. TILTING CABINET FREESTANDING WASHER-EXTRACTOR



Equipment specifications are subject to change without notice. Please use this drawing along with the installation manuals for updated equipment installation requirements.

KRP	CAD BLOCK	10-Jan-18
Drawn by	Description	Date