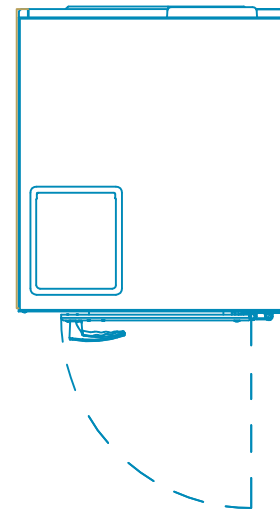
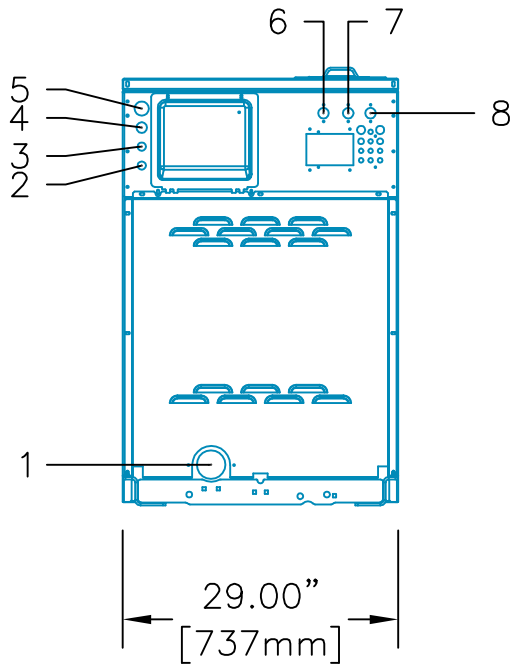


LEGEND:

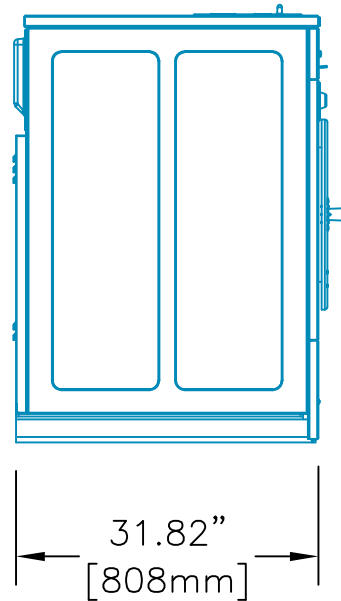
1: DRAIN OUTLET	5: 1 1/2" ELECTRICAL
2: 7/8" ELECTRICAL	6: COLD FILL VALVE
3: 7/8" ELECTRICAL	7: HOT FILL VALVE
4: 1 1/8" ELECTRICAL	8: COLD HARD FILL VALVE



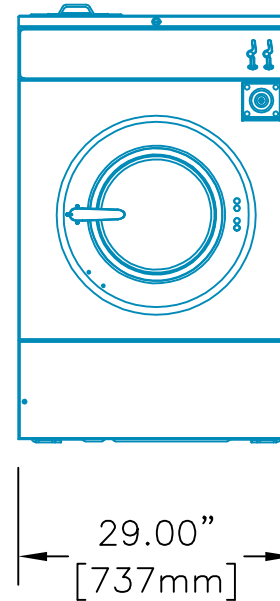
PLAN VIEW



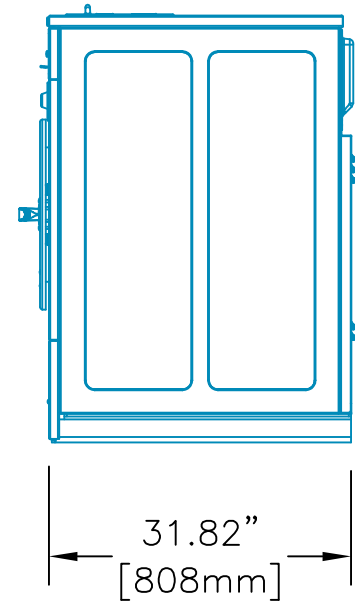
REAR VIEW



LEFT SIDE VIEW



FRONT VIEW



RIGHT SIDE VIEW

**30 LB. CABINET HARDMOUNT
WASHER-EXTRACTORS**



Equipment specifications are subject to change without notice. Please use this drawing along with the installation manuals for updated equipment installation requirements.

KRP	CAD BLOCK	8-Mar-18
Drawn by	Description	Date