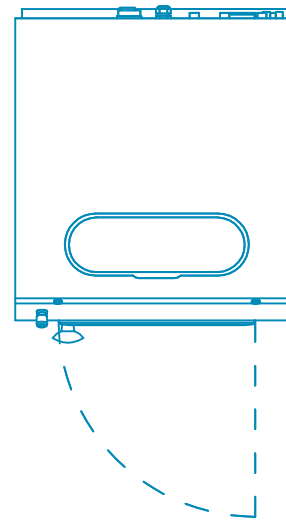
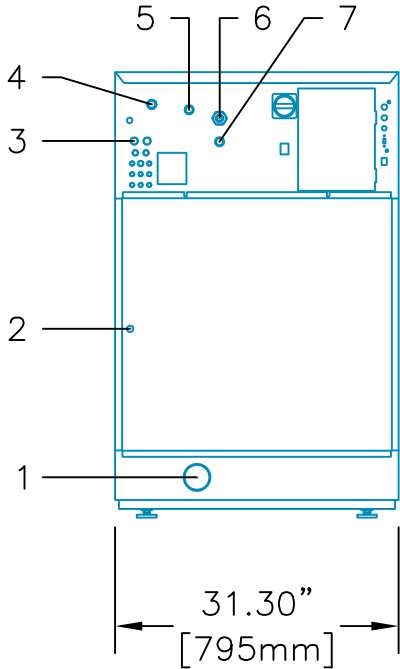


**LEGEND:**

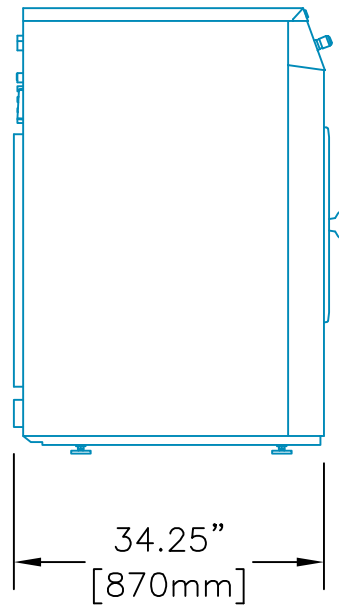
- |                          |                          |
|--------------------------|--------------------------|
| 1: DRAIN OUTLET          | 5: COLD HARD WATER INLET |
| 2: STEAM CONNECTION      | 6: ELECTRICAL CONNECTION |
| 3: RECYCLED WATER INLET  | 7: HOT WATER INLET       |
| 4: COLD SOFT WATER INLET |                          |



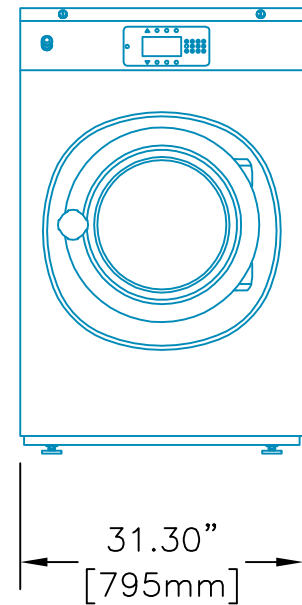
**PLAN VIEW**



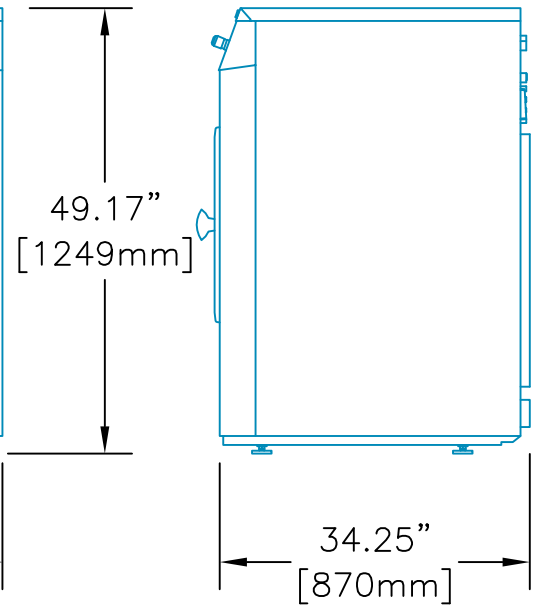
**REAR VIEW**



**LEFT SIDE VIEW**



**FRONT VIEW**



**RIGHT SIDE VIEW**

**30 lb. CABINET  
FREESTANDING  
WASHER-EXTRACTOR**



Equipment specifications are subject to change without notice. Please use this drawing along with the installation manuals for updated equipment installation requirements.

KRP	CAD BLOCK	10-Jan-18
Drawn by	Description	Date