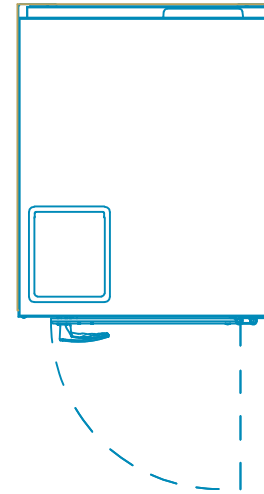
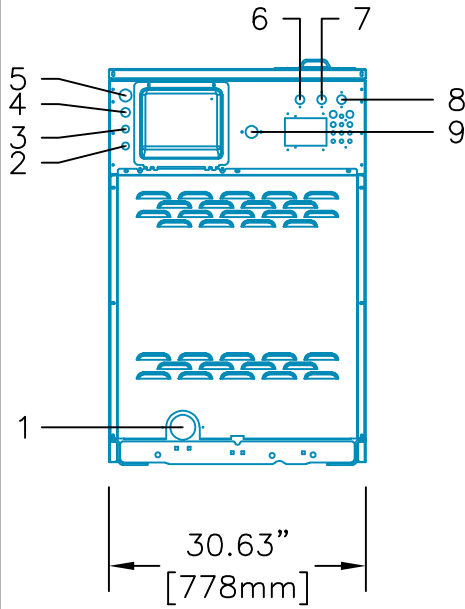


LEGEND:

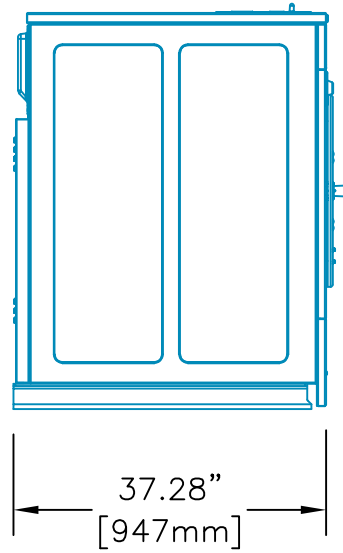
- | | |
|----------------------|-------------------------|
| 1: DRAIN OUTLET | 6: COLD FILL VALVE |
| 2: 7/8" ELECTRICAL | 7: HOT FILL VALVE |
| 3: 7/8" ELECTRICAL | 8: COLD HARD FILL VALVE |
| 4: 1 1/8" ELECTRICAL | 9: STEAM VALVE |
| 5: 1 1/2" ELECTRICAL | |



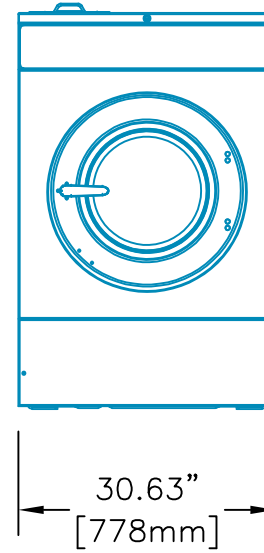
PLAN VIEW



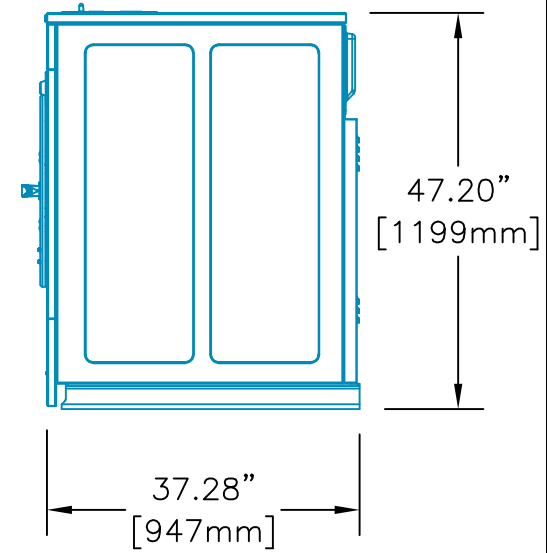
REAR VIEW



LEFT SIDE VIEW



FRONT VIEW



RIGHT SIDE VIEW

**40 LB. CABINET HARDMOUNT
WASHER-EXTRACTOR
(UCT040)**



Equipment specifications are subject to change without notice. Please use this drawing along with the installation manuals for updated equipment installation requirements.

KRP	CAD BLOCK	14-Apr-22
Drawn by	Description	Date