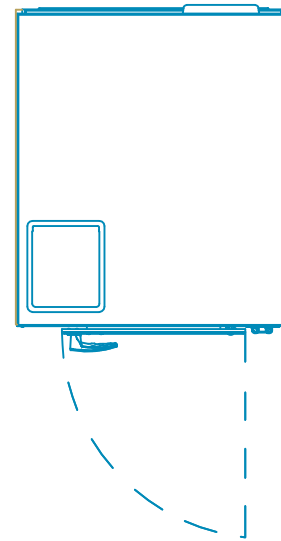
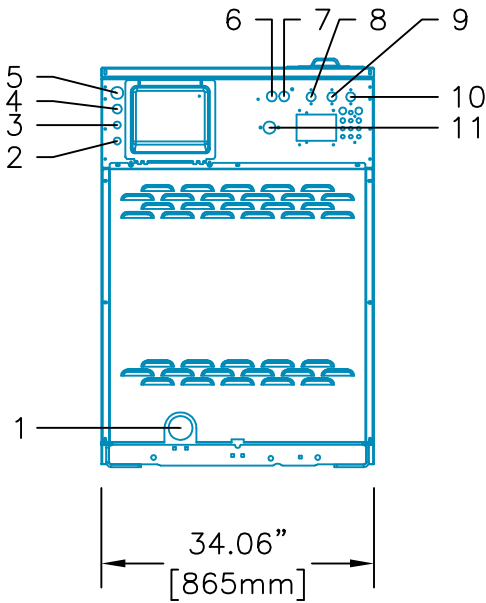


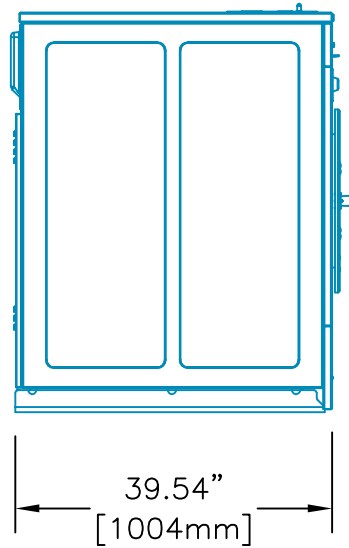
LEGEND:	
1: DRAIN OUTLET	8: COMPARTMENT COLD FILL VALVE
2: 7/8" ELECTRICAL	9: COMPARTMENT HOT FILL VALVE
3: 7/8" ELECTRICAL	10: COLD HARD FILL VALVE
4: 1 1/8" ELECTRICAL	11: STEAM VALVE
5: 1 1/2" ELECTRICAL	
6: TUB COLD FILL VALVE	
7: TUB HOT FILL VALVE	



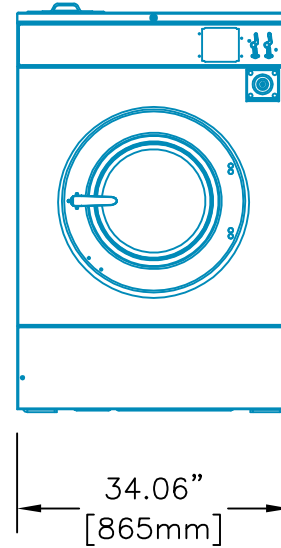
PLAN VIEW



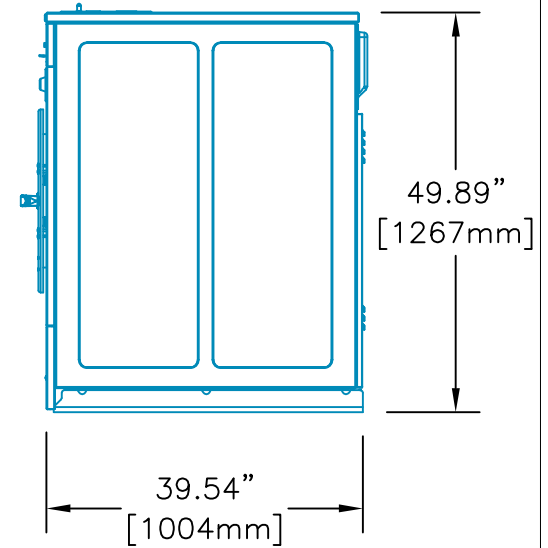
REAR VIEW



LEFT SIDE VIEW



FRONT VIEW



RIGHT SIDE VIEW

# 60 LB. CABINET HARDMOUNT WASHER-EXTRACTOR



Equipment specifications are subject to change without notice. Please use this drawing along with the installation manuals for updated equipment installation requirements.

KRP	CAD BLOCK	9-Mar-18
Drawn by	Description	Date