

8 7 6 5 4 3 2 1

D

D

C

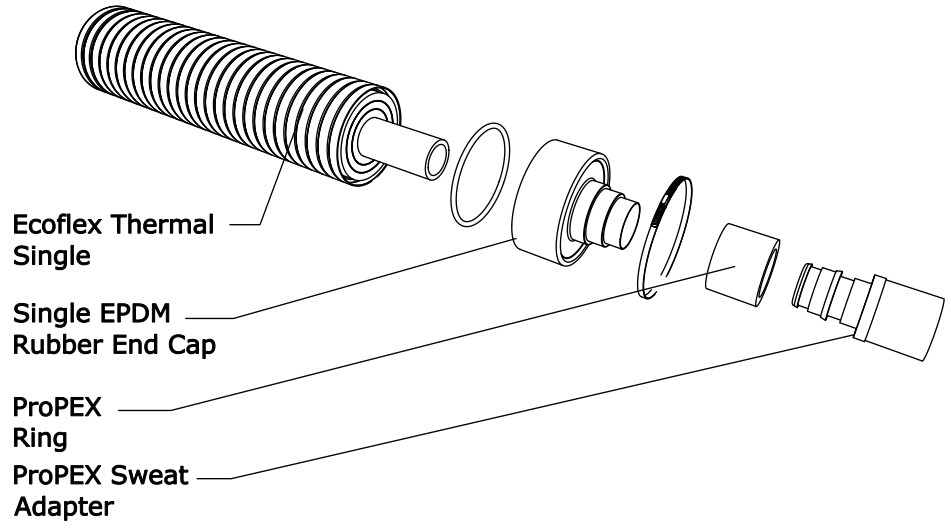
C

B

B

A

A



Ecoflex Thermal
Single

Single EPDM
Rubber End Cap

ProPEX
Ring

ProPEX Sweat
Adapter

| REVISIONS | | | | CAD GENERATED DRAWING, DO NOT MANUALLY UPDATE | | uponor 5925 148TH STREET WEST APPLE VALLEY, MN 55124 PHONE (952) 891-2000 FAX (952) 997-1731 |
|-----------|-------|------|-----|---|------------|---|
| REV | ECO # | DATE | ENG | DO NOT SCALE DRAWING | | |
| -- | -- | -- | -- | THE INFORMATION CONTAINED IN THIS DRAWING IS THE SOLE PROPERTY OF UPONOR. ANY REPRODUCTION IN PART OR WHOLE WITHOUT THE WRITTEN PERMISSION OF UPONOR IS PROHIBITED. | | |
| -- | -- | -- | -- | | | |
| -- | -- | -- | -- | | | |
| -- | -- | -- | -- | | | |
| -- | -- | -- | -- | APPROVALS | DATE | ECOFLEX DETAIL |
| -- | -- | -- | -- | DRAWN BY DESIGNER | 08/18/2014 | |
| -- | -- | -- | -- | APPROVED BY | | SIZE DESCRIPTION A THERMAL SINGLE SWEAT ADAPTER |
| -- | -- | -- | -- | APPROVED | | SCALE 1:1 SHEET 1 of 1 |

8 7 6 5 4 3 2 1