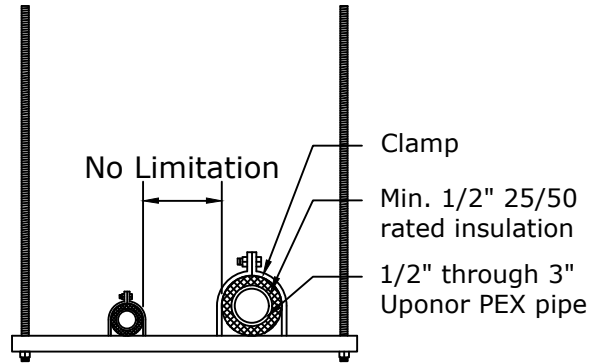
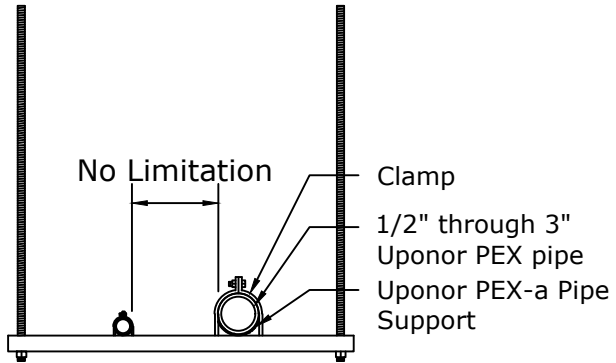


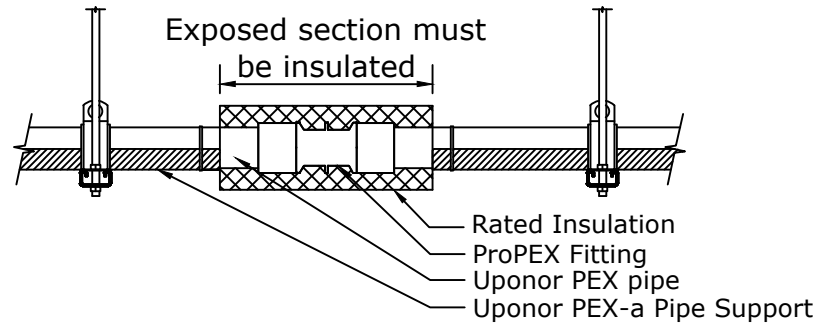
QAI P321-1



QAI P321-1



QAI P321-2



Pex-a Pipe Support Installations in ASTM E84 Applications

REVISIONS				CAD GENERATED DRAWING, DO NOT MANUALLY UPDATE DO NOT SCALE DRAWING		Uponor 5925 148TH STREET WEST APPLE VALLEY, MN 55124 PHONE (952) 891-2000 FAX (952) 997-1731	
REV	ECO #	DATE	ENG	APPROVALS	DATE		
--	--	--	--	THE INFORMATION CONTAINED IN THIS DRAWING IS THE SOLE PROPERTY OF UPONOR. ANY REPRODUCTION IN PART OR WHOLE WITHOUT THE WRITTEN PERMISSION OF UPONOR IS PROHIBITED.		HANGER DETAILS SIZE/DESCRIPTION A ASTM E84 SCALE 1:1 SHEET 1 of 1	
--	--	--	--	DRAWN BY	02/03/2016		
--	--	--	--	DESIGNER		REV	00
--	--	--	--	APPROVED BY		SCALE	1:1
--	--	--	--	APPROVED		SHEET	1 of 1