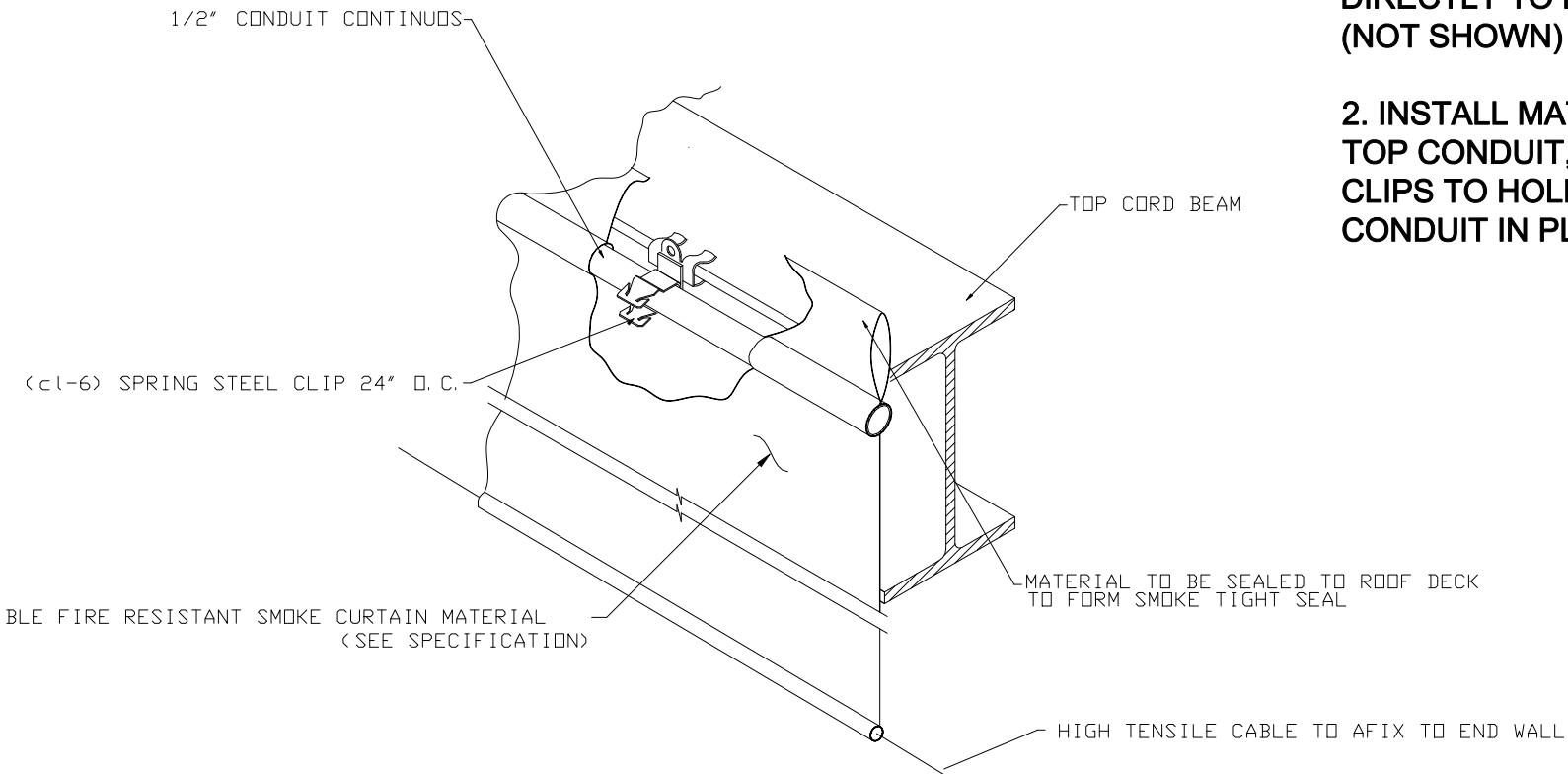


OPTION 2



FIXING METHOD OPTIONS:

1. FASTEN MATERIAL DIRECTLY TO METAL JOIST (NOT SHOWN)

2. INSTALL MATERIAL TO TOP CONDUIT, UTILIZE BEAM CLIPS TO HOLD TOP CONDUIT IN PLACE

USSF FIXED IN PALCE DRAFT CURTAIN CONNECTION TO BEAM

FABRIC BROKEN OUT FOR CLARITY
SCALE: NONE

Project:
UNTITLED
Product Name:
FIXED CURTAIN

#

REVISION

DATE

BY

Title: **FIXED CURTAIN CONNECTION TO BEAM**

Scale: NTS

Date: mddd/yy