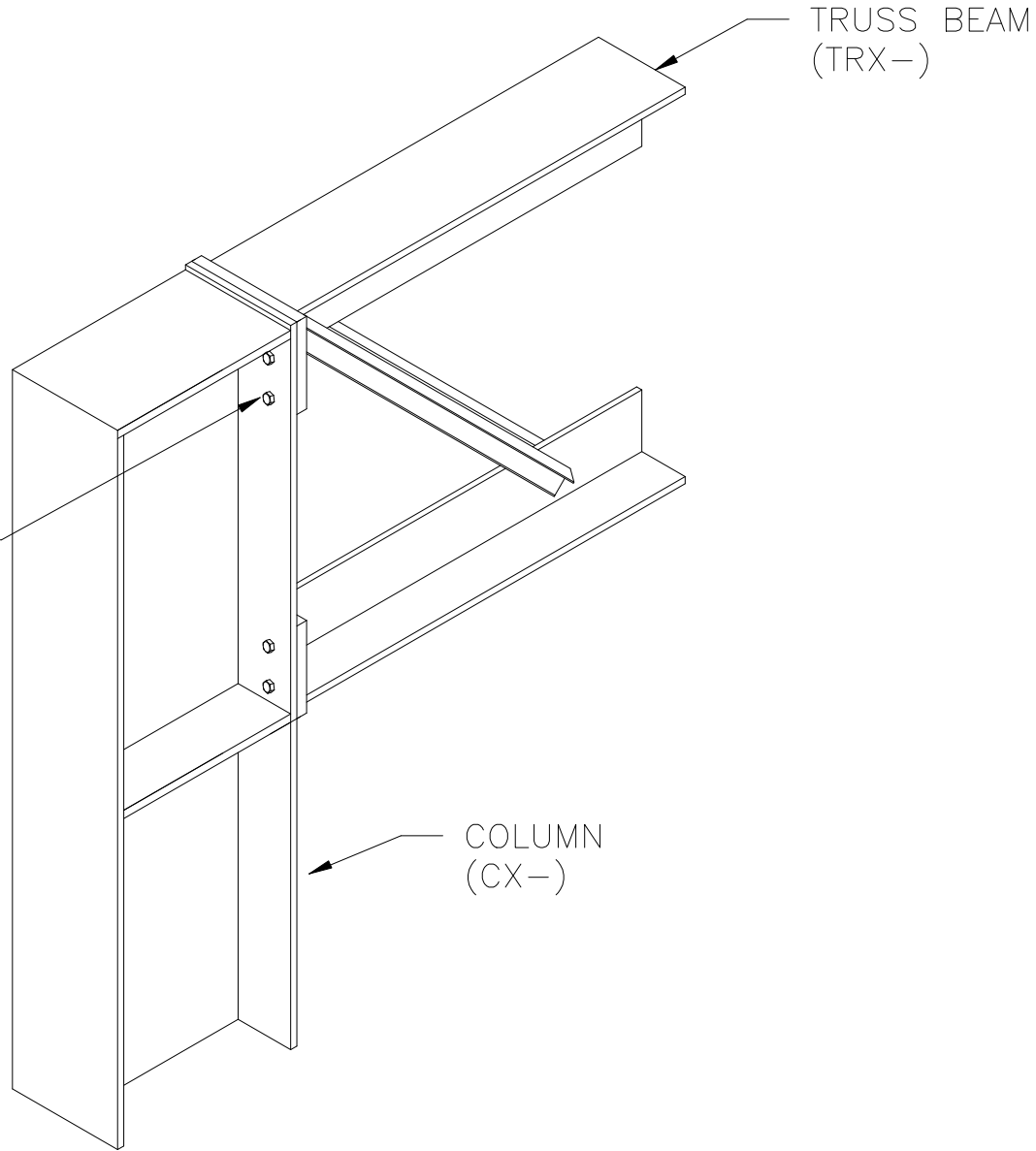


A325 BOLTS  
SEE ERECTION  
DRAWINGS FOR  
EXACT SIZE  
FILL ALL HOLES



TRUSS BEAM  
HAUNCH CONNECTION

PF01E2V2 09/01/2001

PF01E2	