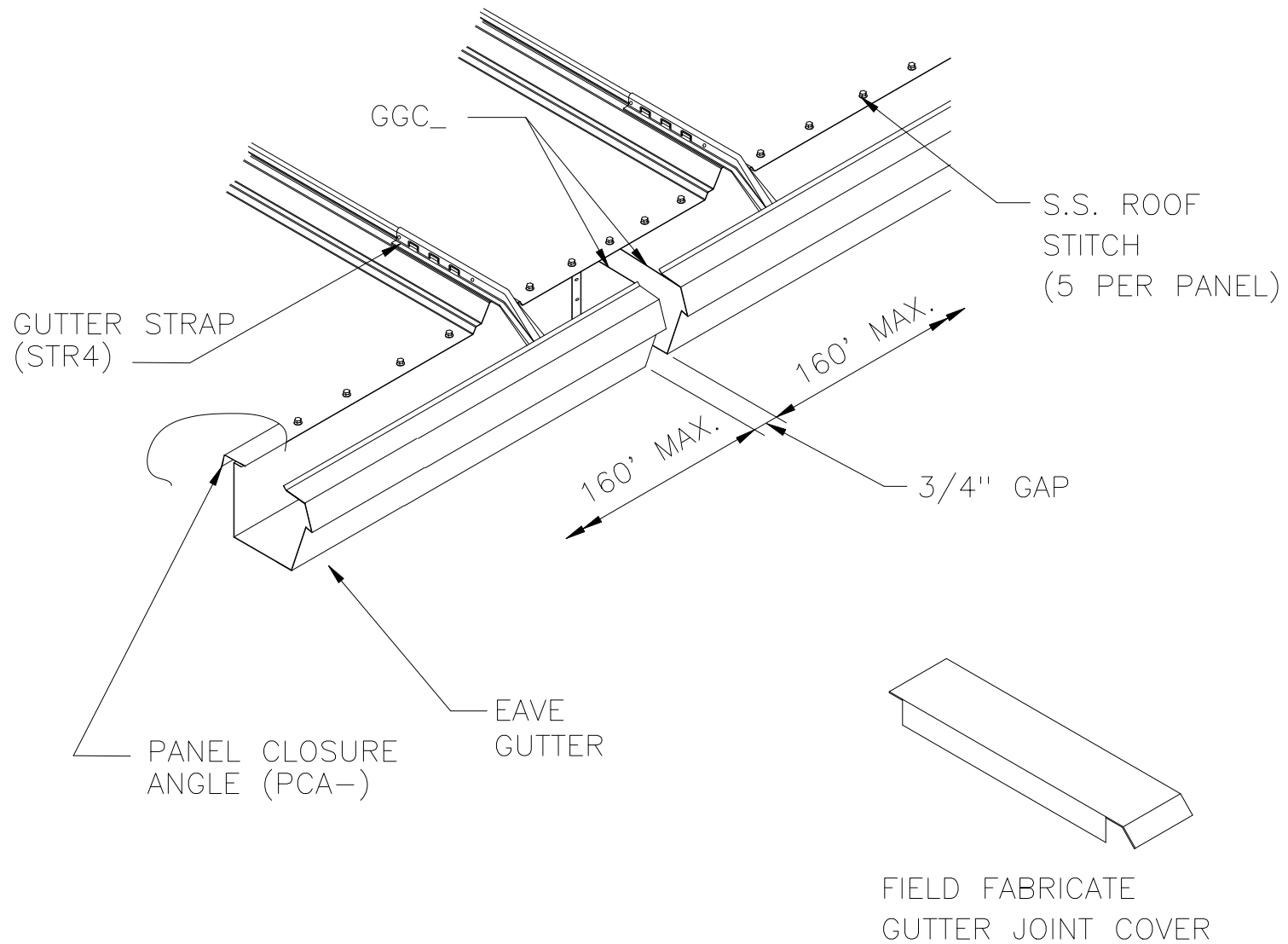


SEE 

RC38E1

 FOR GUTTER STRAP ATTACHMENT



SSR EAVE GUTTER EXPANSION JOINT 

RC61A6

FOR BUILDING OVER 160' IN LENGTH