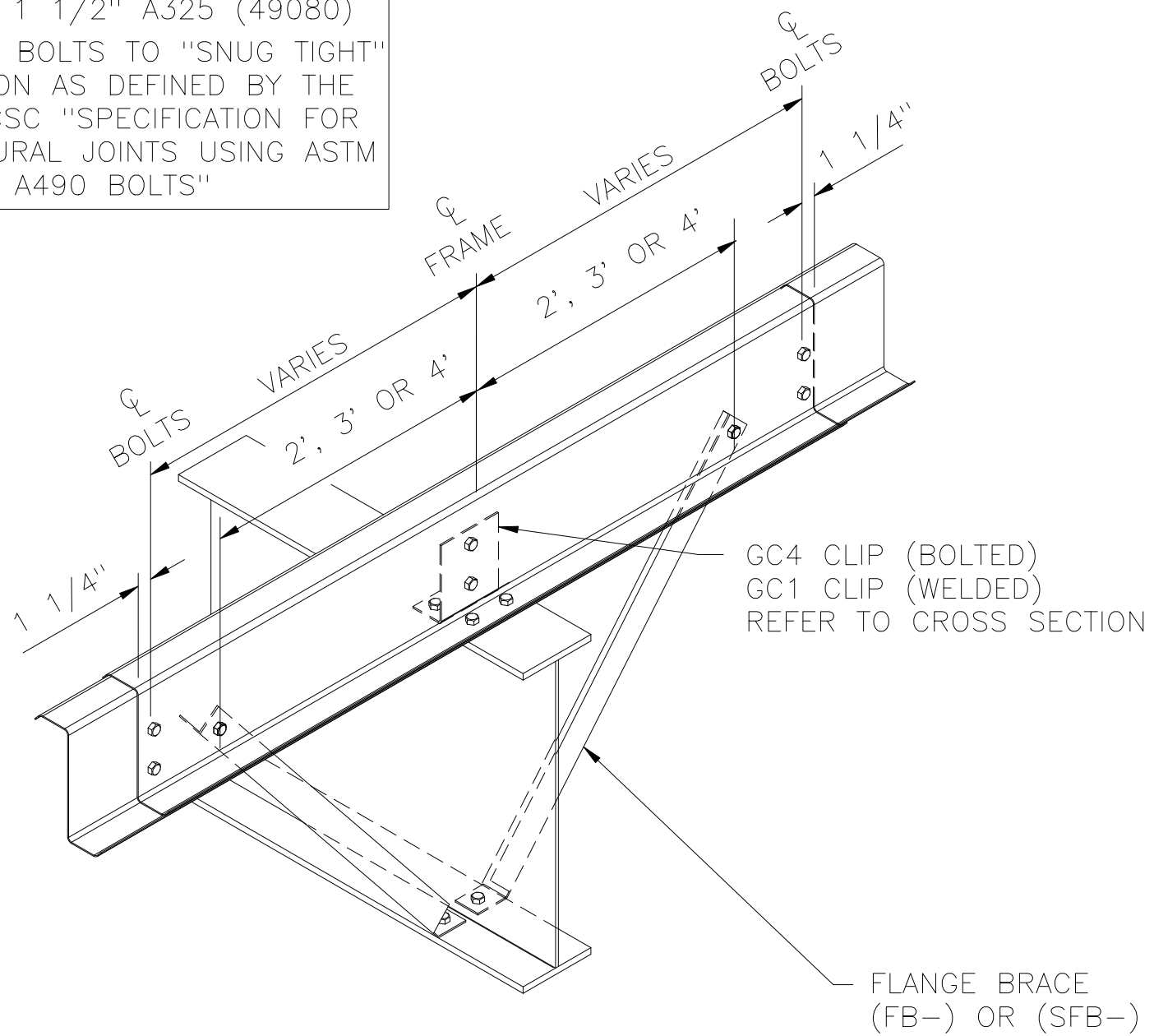


NOTE: ALL BOLTS TO BE
 1/2" X 1 1/2" A325 (49080)
 TIGHTEN BOLTS TO "SNUG TIGHT"
 CONDITION AS DEFINED BY THE
 AISC/RCSC "SPECIFICATION FOR
 STRUCTURAL JOINTS USING ASTM
 325 OR A490 BOLTS"



PURLIN CONN. AT INTERIOR FRAME

6 1/2" OR 8 1/2" CONTINUOUS PURLINS W/CLIP

RS01A1V7 R 04/01/2000

RS01A1	