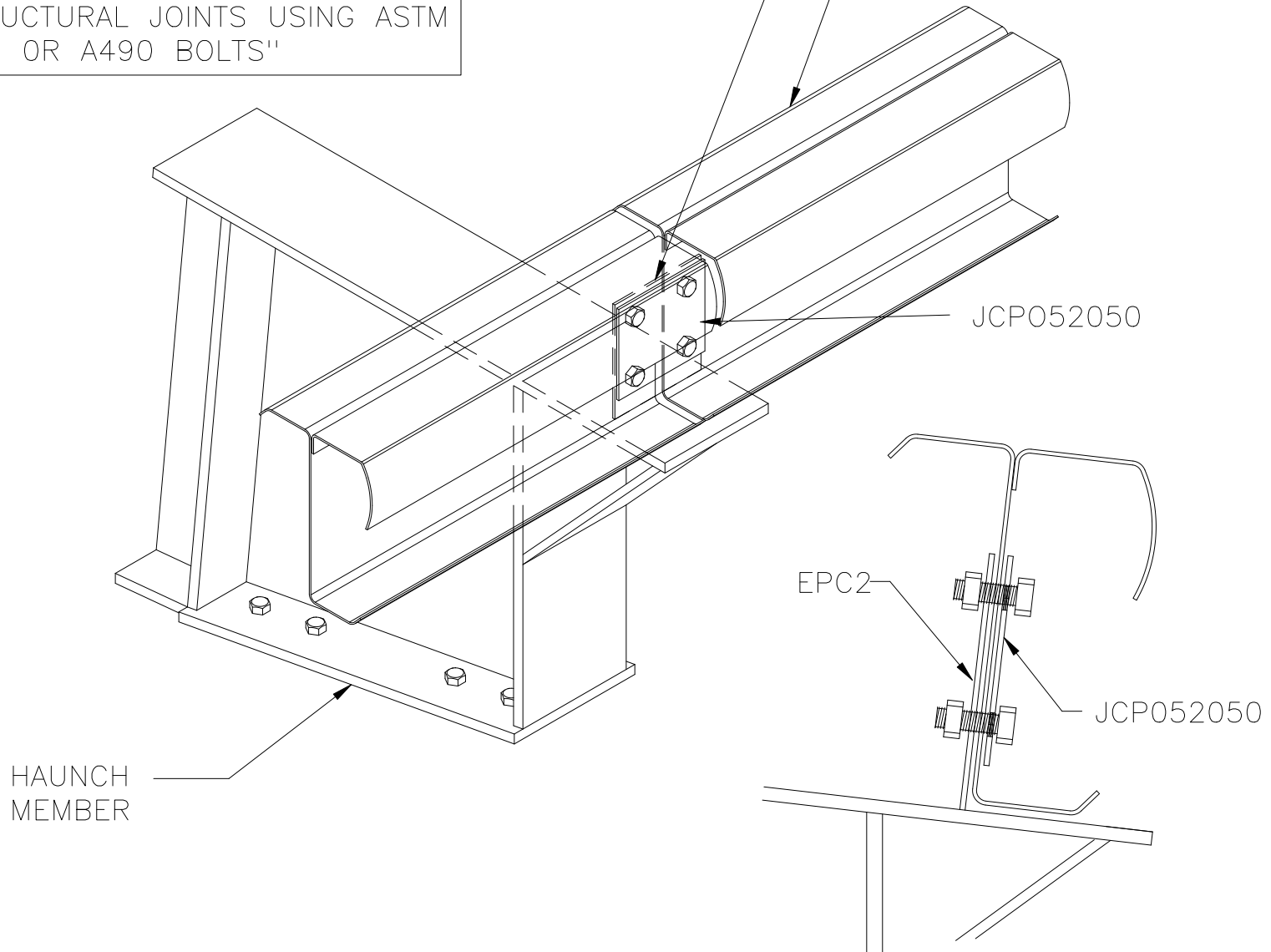


NOTE: ALL BOLTS TO BE
 1/2" X 1 1/2" A325 (49080)
 TIGHTEN BOLTS TO "SNUG TIGHT"
 CONDITION AS DEFINED BY THE
 AISC/RCSC "SPECIFICATION FOR
 STRUCTURAL JOINTS USING ASTM
 325 OR A490 BOLTS"

PURLIN CLIP
 (EPC2) WELDED
 (EPC1) BOLTED

STANDARD LOW
 EAVE PURLIN



WELDED LOW EAVE PURLIN (INT. FRAME)

RS11A1

6 1/2" OR 8 1/2" PURLINS (O.S. GIRTS)

RS11A1V5 R 06/01/2000

--	--