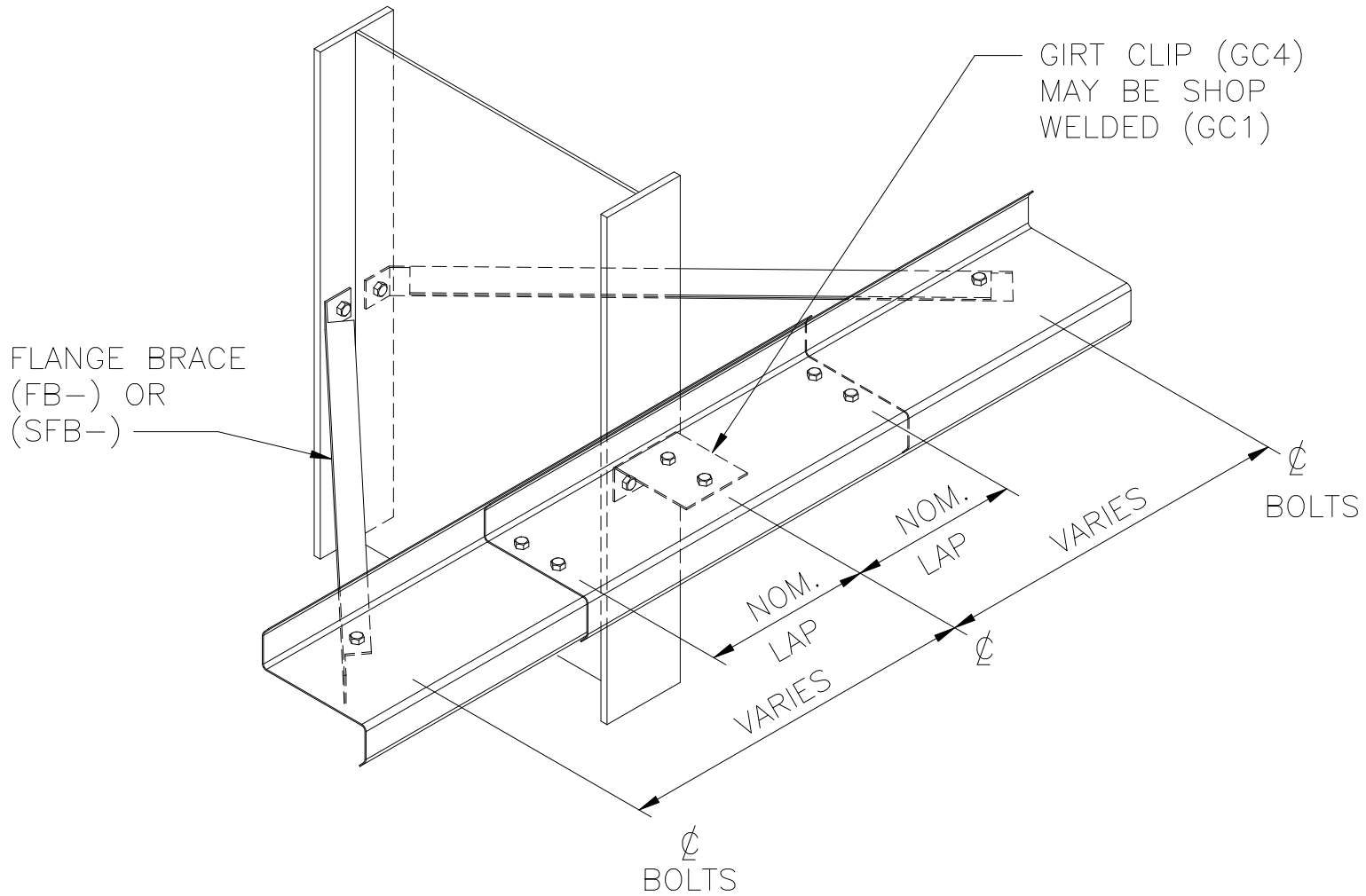


NOTE: ALL BOLTS TO BE  
 1/2" X 1 1/2" A325 (49080)  
 TIGHTEN BOLTS TO "SNUG TIGHT"  
 CONDITION AS DEFINED BY THE  
 AISC/RCSC "SPECIFICATION FOR  
 STRUCTURAL JOINTS USING ASTM  
 325 OR A490 BOLTS"



GIRT CONN. AT SIDEWALL COLUMN

6 1/2" & 8 1/2" OUTSET CONTINUOUS ZEE GIRTS

WS01A3	