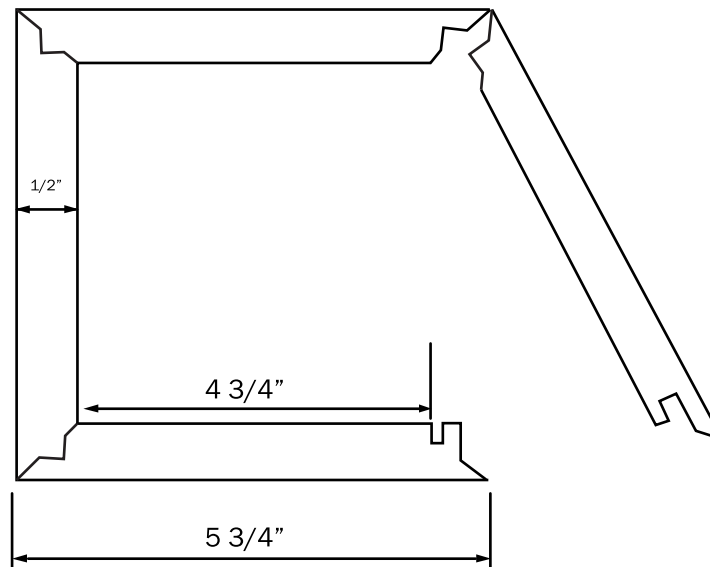


VERSATEX[®]

TRIM BOARD

TRIM **SMARTER.**

Available in 10" and 10' Lengths



VERSATEX Trimboard Building Products

www.versatex.com

(724) 857-1111

Nominal 4" X 4" VERSAWRAP
Accent Wrap

Scale: NTS

Actual Inside
4 3/4" X 4 3/4"

Part No. VWAW040410/120