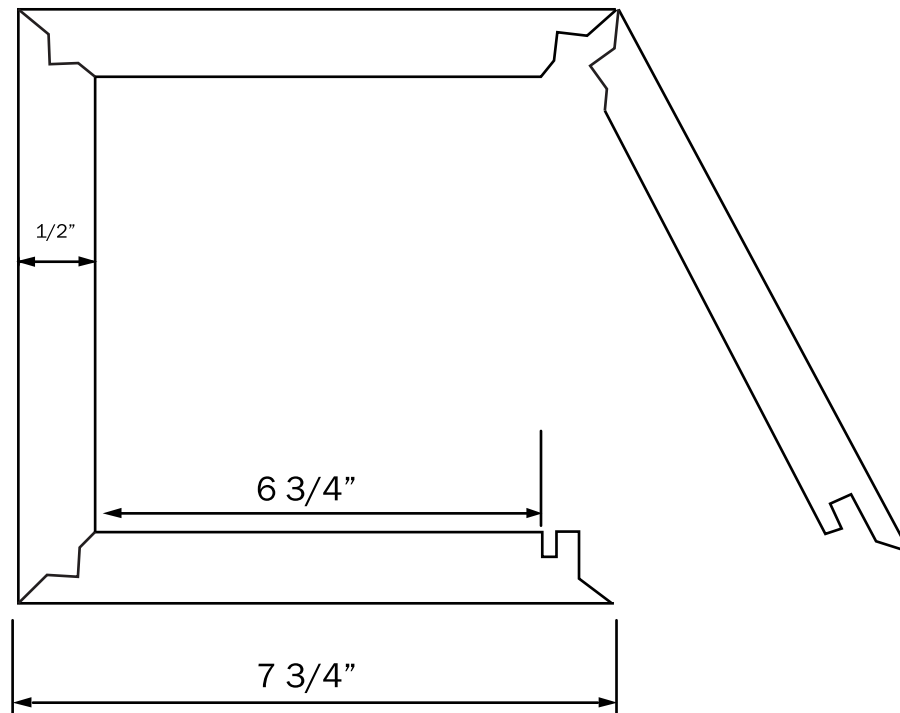


VERSATEX®

TRIM BOARD

TRIM SMARTER.

Available in 10" Lengths



VERSATEX Trimboard Building Products

www.versatex.com

(724) 857-1111

Nominal 6" X 6" VERSAWRAP
Accent Wrap

Scale: NTS

Actual Inside
6 3/4" X 6 3/4"

Part No. VWAW060610