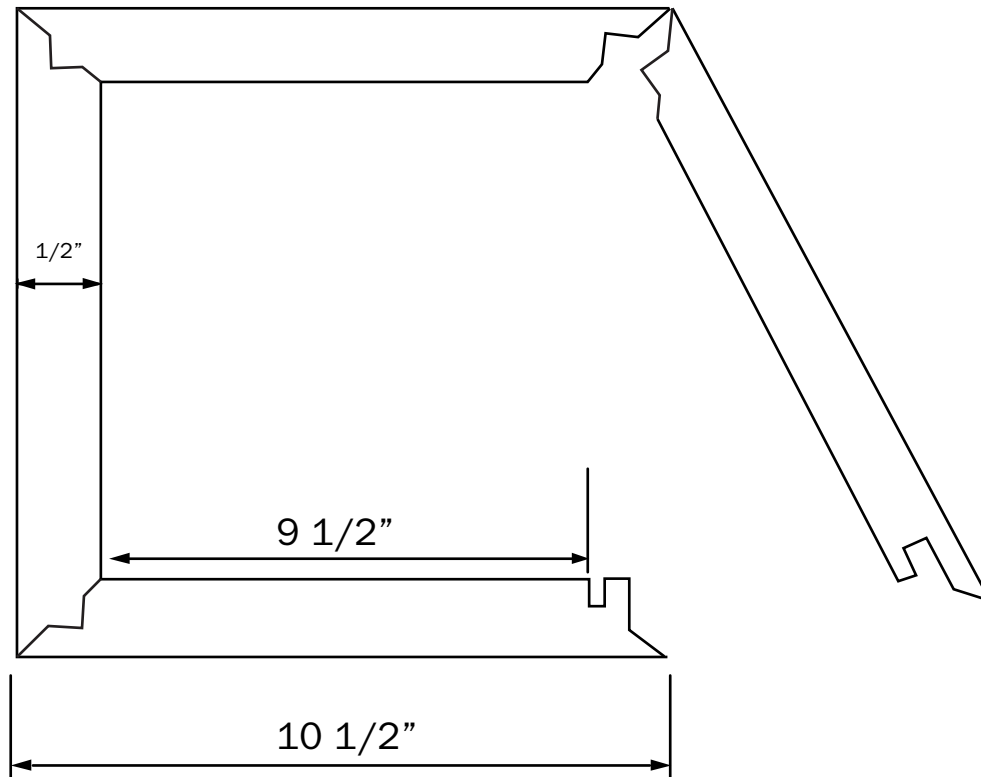


VERSATEX[®]

T R I M B O A R D

TRIM **SMARTER.**

Available in 10" Lengths



VERSATEX Trimboard Building Products

www.versatex.com

(724) 857-1111

Nominal 8" X 8" VERSAWRAP
Accent Wrap

Scale: NTS

Actual Inside
9 1/2" X 9 1/2"

Part No. VWAW080810