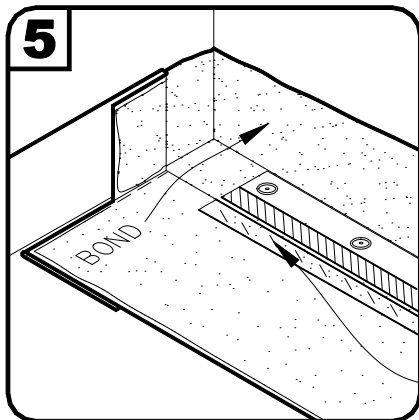
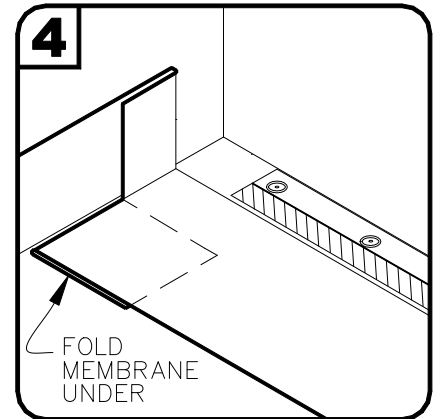
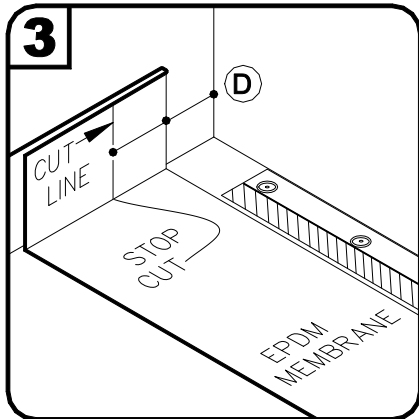
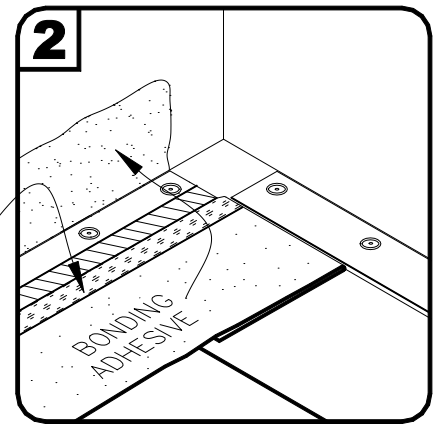


6" (152mm) WIDE QUICK APPLIED RTS

VERSICO SEAM FASTENING PLATE & FASTENER.

EPDM PRIMER

DIMENSIONS	mm	
A	6"	152 TO
	9"	229
B	1/8"	3 MIN.
	1"	25 MAX.
C	12"	305 MAX.
D	6"	152 MIN.

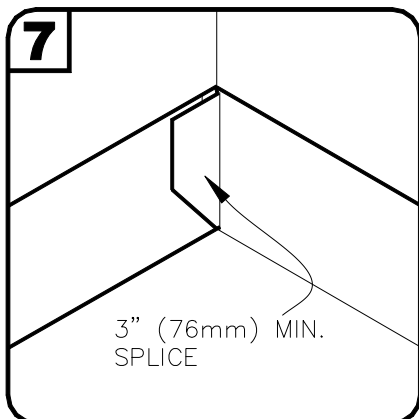
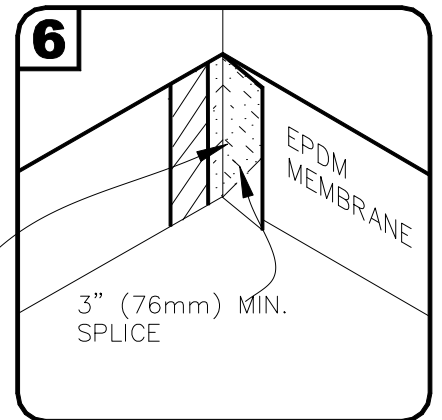


NOTE:

1. QUICK APPLIED UNCURED EPDM FLASHING INSIDE / OUTSIDE CORNERS MUST BE USED.
2. AS AN OPTION, 6" (152mm) WIDE QUICK APPLIED RTS MAY BE FASTENED INTO THE VERTICAL SUBSTRATE, SEE DETAIL VGC-12.1.

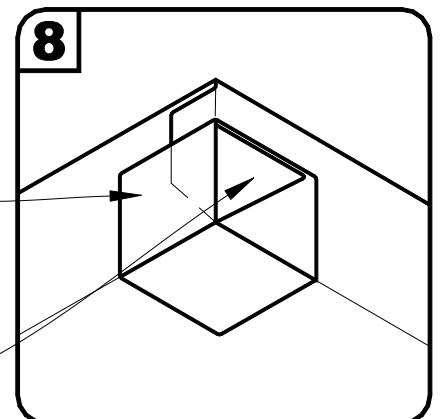
CUT 45° AND APPLY EPDM PRIMER/QA SEAM TAPE

EPDM PRIMER



9"X9" (229mm X 229mm) QUICK APPLIED UNCURED EPDM FLASHING OR 7"X9" (178mm X 229mm) PRE-CUT QUICK APPLIED FLASHING. FOR PROJECTS WITH 25 AND 30-YEAR WARRANTIES OR WHEN USING 90-MIL MEMBRANE, REFER TO DETAIL VGC-15.3.

PIG EAR ON OPPOSITE WALL



INSIDE CORNER WITH RTS (OPTION 1)

THERMOSET ROOFING SYSTEM

VGC-15.1