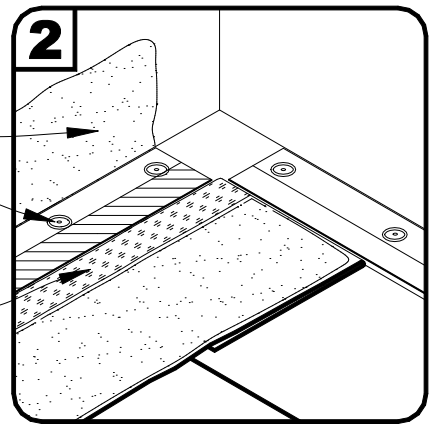


6" (152mm) WIDE QUICK APPLIED RTS

VERSICO BONDING ADHESIVE

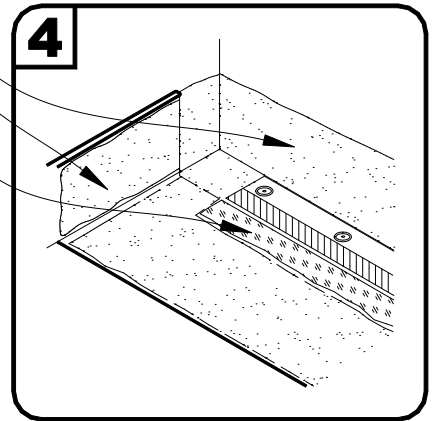
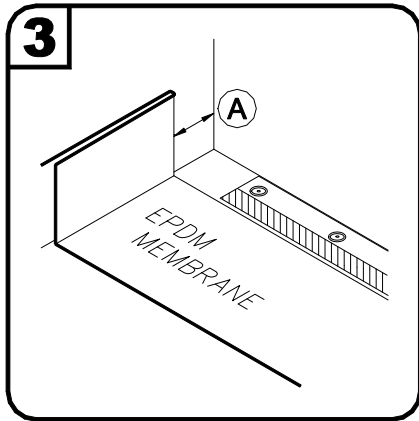
VERSICO SEAM FASTENING PLATE & FASTENER.

EPDM PRIMER



VERSICO BONDING ADHESIVE

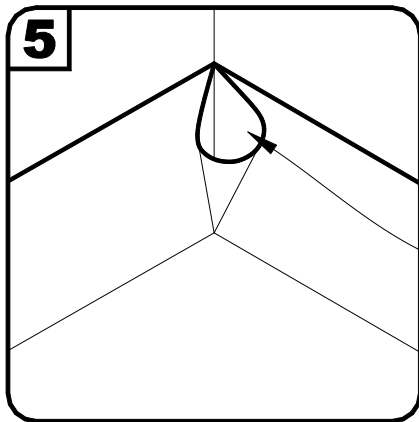
EPDM PRIMER



DIMENSIONS	mm		
A	6"	152	TO
	9"	229	
B	1/8"	3	MIN.
	1"	25	MAX.
C	12"	305	MAX.

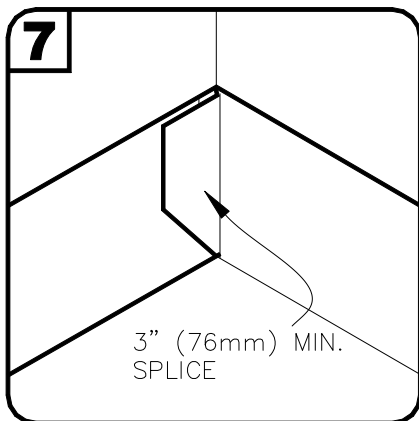
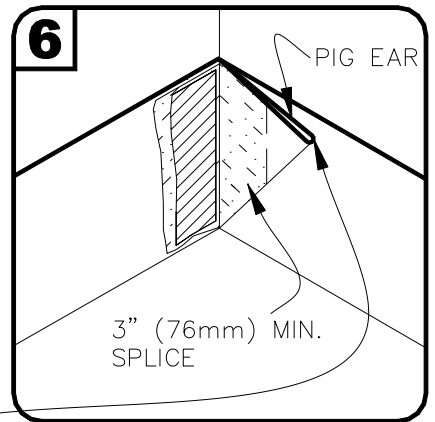
NOTE:

- AS AN OPTION, 6" (152mm) WIDE QUICK APPLIED RTS MAY BE FASTENED INTO THE VERTICAL SUBSTRATE, SEE DETAIL VGC-12.1.

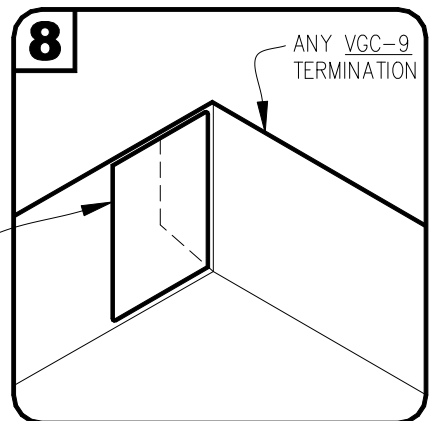


FORM PIG EAR WITH CONTINUOUS MEMBRANE AT CORNER AS SHOWN

CUT & REMOVE EXCESSIVE MEMBRANE



6" (152mm) WIDE QUICK APPLIED UNCURED EPDM FLASHING IN CONJUNCTION WITH EPDM PRIMER



**INSIDE CORNER WITH RTS (OPTION 2)**

THERMOSET ROOFING SYSTEM

**VGC-15.2**