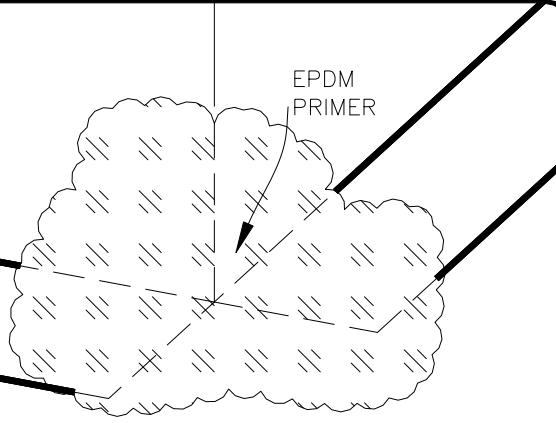


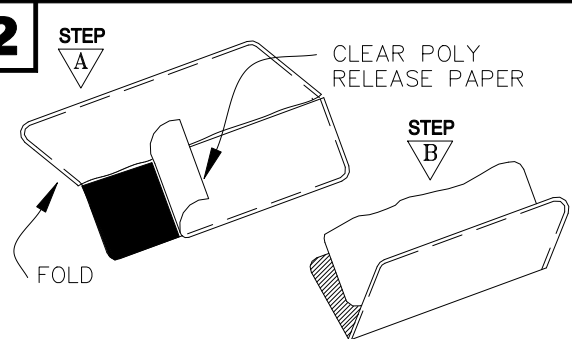
1



EPDM PRIMER

CLEAN THE DRY SPLICE AREA OF THE EPDM MEMBRANE BY SCRUBBING WITH EPDM PRIMER.

2



STEP A

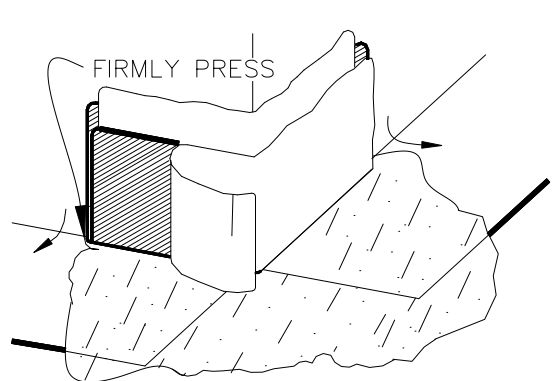
CLEAR POLY RELEASE PAPER

STEP B

FOLD

PRIOR TO PLACEMENT OF VERSICO CORNER, PEEL OFF THE BLUE POLY RELEASE FILM AND HEAT THE FLASHING SIDE WITH A HEAT GUN. RE-APPLY THE POLY LOOSELY. FOLD THE FLASHING IN HALF.

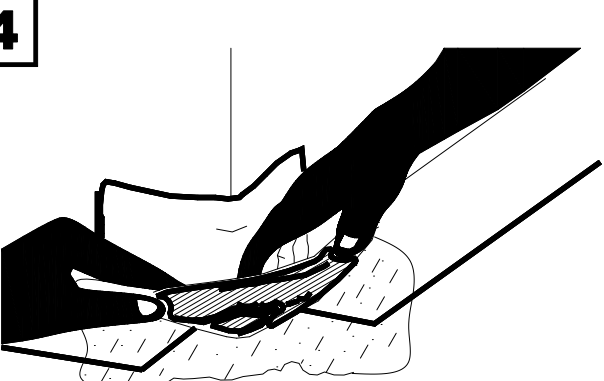
3



FIRMLY PRESS

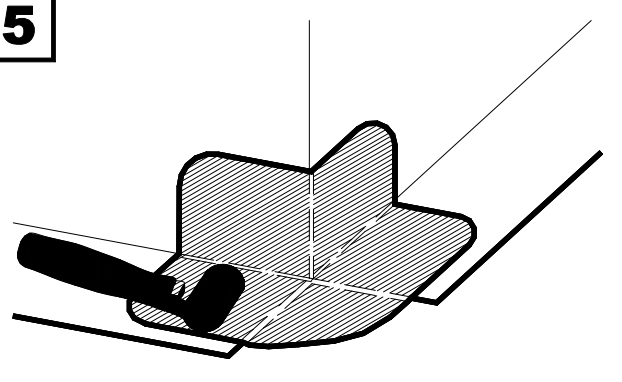
PLACE VERSICO INSIDE/OUTSIDE CORNER AS SHOWN AND REMOVE RELEASE PAPER. PRESS FOLDED FLASHING TIGHTLY INTO ANGLE CHANGE AND FIRMLY PRESS FLASHING AGAINST THE VERTICAL SURFACE.

4



PLACE FOLDED FLASHING TIGHTLY INTO ANGLE CHANGE AND FIRMLY PRESS FLASHING ONTO THE DECK FLANGE BY PRESSING THE FLASHING AGAINST THE HORIZONTAL SURFACE.

5



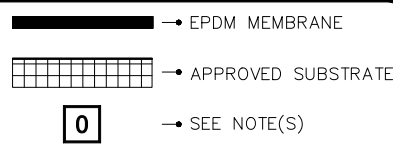
ROLL WITH A TWO INCH WIDE ROLLER. PAY PARTICULAR ATTENTION TO THE STEP OFFS AND ANGLE CHANGE.

NOTES:

- FOR PROJECTS WITH 25 & 30-YEAR WARRANTIES OR WHEN USING 90-MIL MEMBRANE, REFER TO DETAIL VGC-15.8 FOR REQUIRED FLASHING ENHANCEMENTS.



OUTSIDE CORNER WITH PRE-CUT QUICK-APPLIED FLASHING



→ EPDM MEMBRANE

→ APPROVED SUBSTRATE

0 → SEE NOTE(S)

THERMOSET ROOFING SYSTEM

VGC-15.5