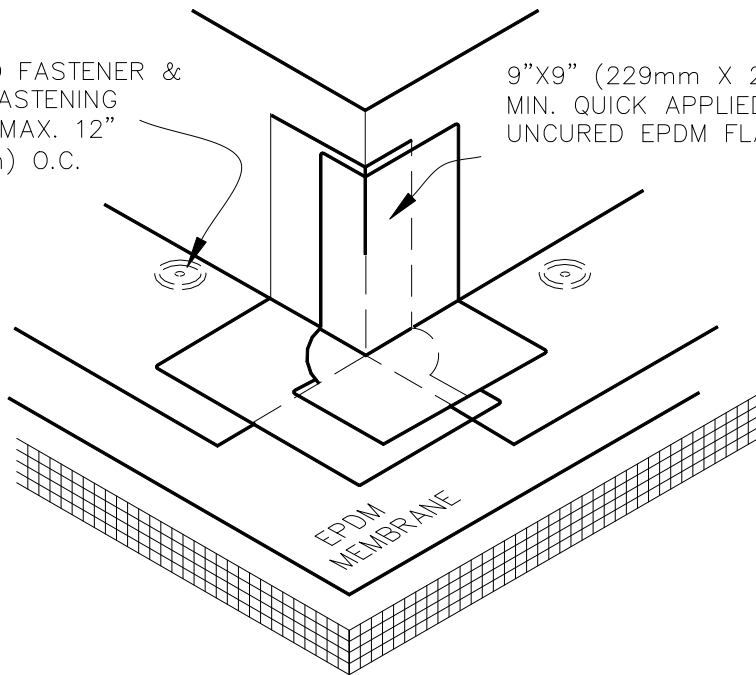


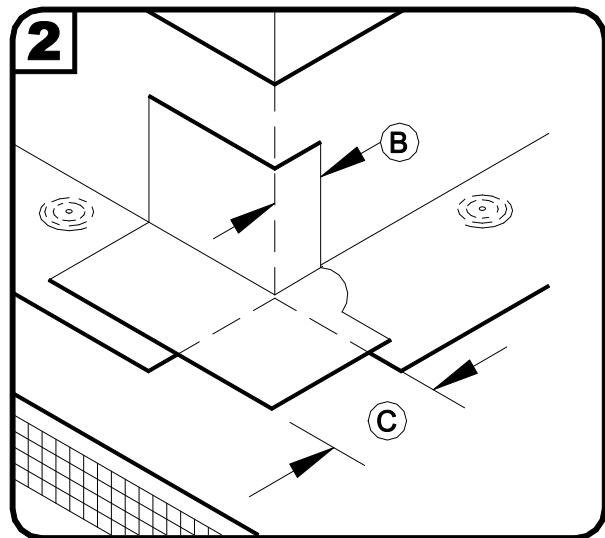
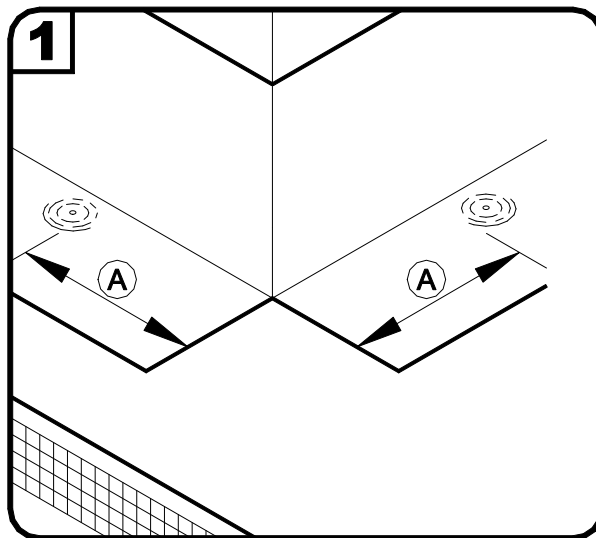
**CAUTION** FOR PROJECTS WITH 25 & 30-YEAR WARRANTIES OR WHEN USING 90-MIL MEMBRANE, REFER TO DETAIL VGC-15.8 FOR REQUIRED FLASHING ENHANCEMENTS.

VERSICO FASTENER & SEAM FASTENING PLATE, MAX. 12" (305mm) O.C.

9"X9" (229mm X 229mm) MIN. QUICK APPLIED UNCURED EPDM FLASHING



DIMENSIONS		mm	
(A)	6"	152	TO
	9"	229	
(B)	2"	51	MIN.
(C)	3"	76	MAX.

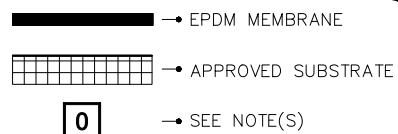


NOTES:

1. APPLY EPDM PRIMER TO THE MEMBRANE SURFACES PRIOR TO INSTALLING QUICK APPLIED FLASHING.
2. QUICK APPLIED UNCURED EPDM FLASHING TO OVERLAP DECK MEMBRANE 3" (76mm) MINIMUM AND EXTEND 2" (51mm) MINIMUM AROUND CORNERS.
3. IN COLDER TEMPERATURES, A HEAT GUN MUST BE USED WHEN FORMING QUICK APPLIED UNCURED EPDM FLASHING.



**OUTSIDE CORNER WITH QUICK-APPLIED UNCURED FLASHING (OPTION 1)**



THERMOSET ROOFING SYSTEM  
**VGC-15.6**