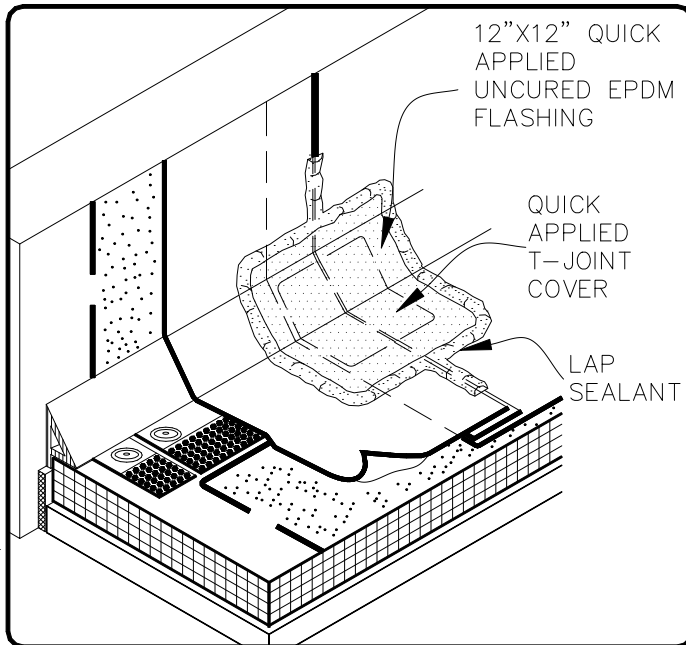
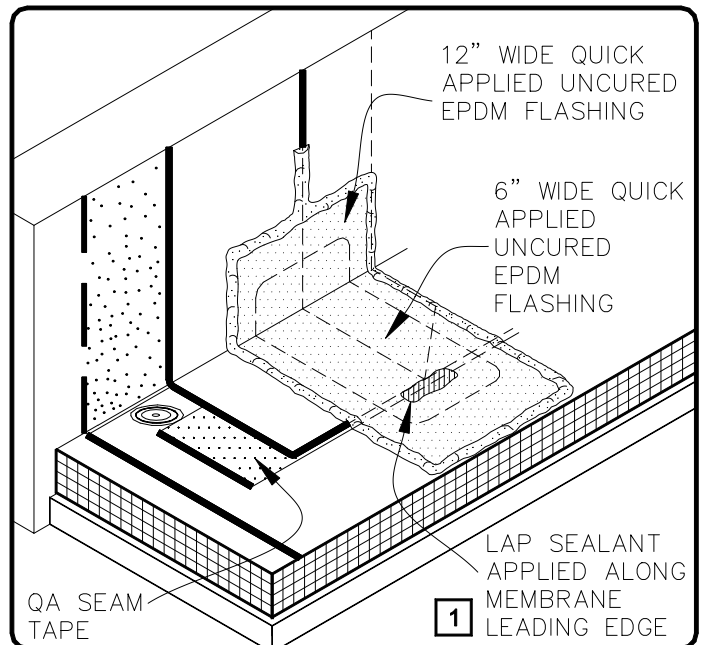


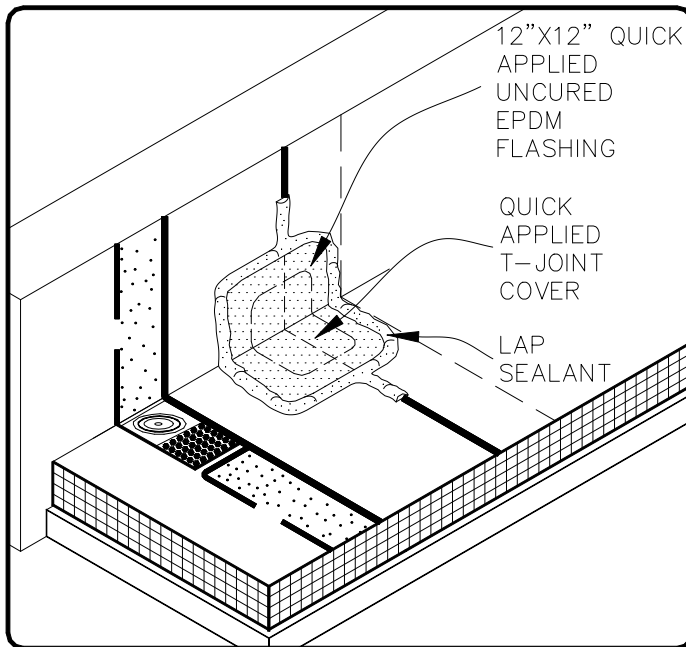
CONTINUOUS WALL FLASHING



SEPARATE WALL FLASHING



CONTINUOUS WALL FLASHING



NOTES:

1. APPLY LAP SEALANT ALONG THE LEADING EDGE OF THE MEMBRANE SPLICE (UNDER THE QUICK APPLIED UNCURED EPDM FLASHING) COVERING THE EXPOSED SPLICE TAPE APPROXIMATELY 2" (51mm) BEYOND THE SPLICE EDGE.
2. QUICK APPLIED T-JOINT COVER OR 6" (152mm) WIDE QUICK APPLIED FLASHING, IN CONJUNCTION WITH EPDM PRIMER, MUST BE CENTERED OVER FIELD SPLICES AT THE ANGLE CHANGE. PROJECTS WITH 25 AND 30-YEAR WARRANTIES OR WHEN USING 90-MIL MEMBRANE REQUIRE FIELD SPLICES TO BE OVERLAID WITH TWO LAYERS OF QUICK APPLIED UNCURED EPDM FLASHING. THE BOTTOM LAYER SHALL BE 6" (152mm) WIDE COVERED WITH A 12" WIDE TOP LAYER (305mm). BOTH LAYERS SHALL BE CENTERED AND SEALED WITH CONTINUOUS LAP SEALANT.



EPDM MEMBRANE SPLICES AT ANGLE CHANGE

→ EPDM MEMBRANE

→ APPROVED SUBSTRATE

0 → SEE NOTE(S)

THERMOSET ROOFING SYSTEM

VGC-2.3