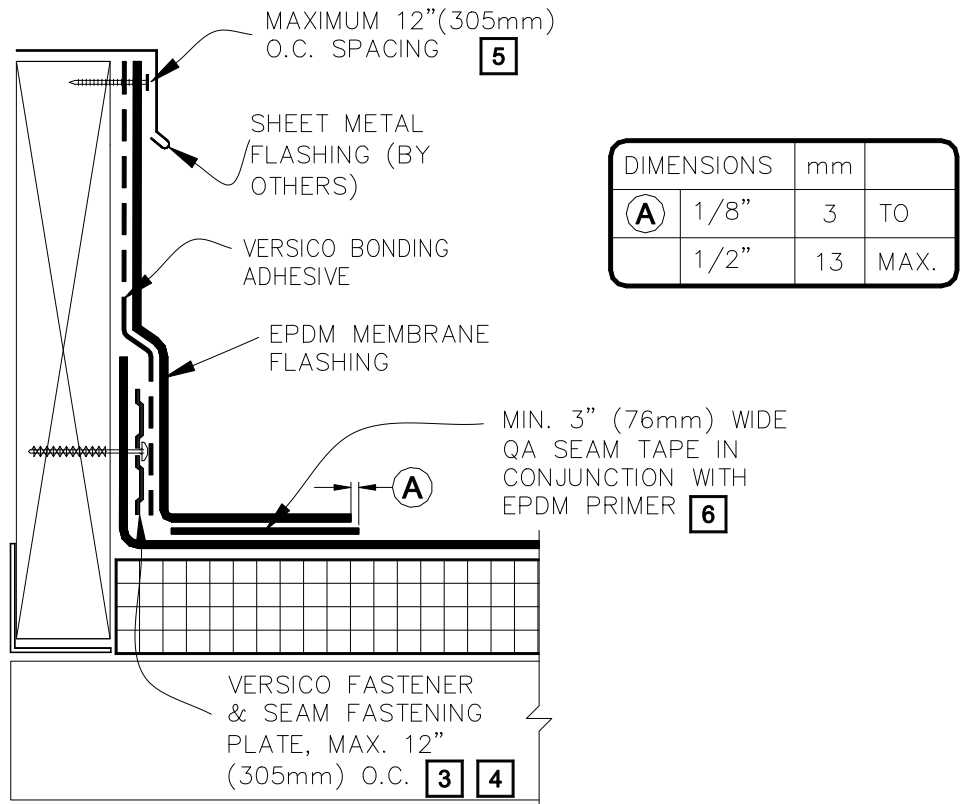


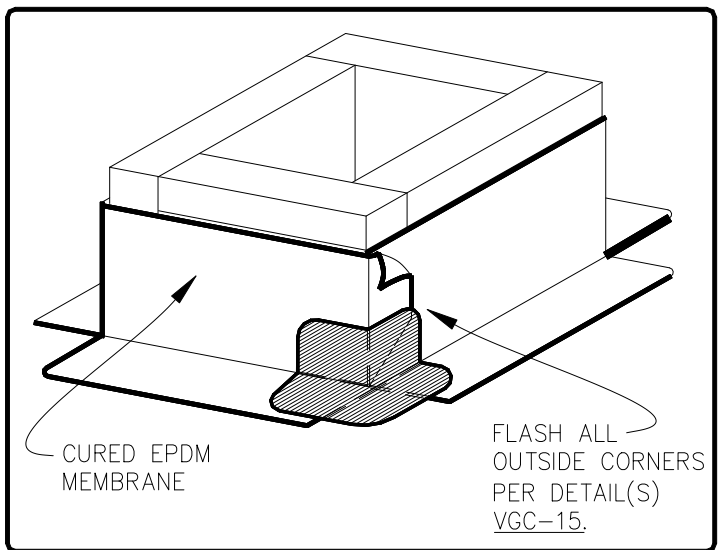
CAUTION

FOR PROJECTS WITH 25 & 30-YEAR WARRANTIES OR WHEN USING 90-MIL MEMBRANE, REFER TO DETAIL VGC-15.8 FOR REQUIRED CORNER ENHANCEMENTS.



NOTES:

- IF THE VERTICAL SPLICE ON THE CURB FLASHING IS NOT LOCATED AT THE CORNER, 6" (152mm) WIDE QUICK APPLIED UNCURED EPDM OR T-JOINT FLASHING, IN CONJUNCTION WITH EPDM PRIMER, MUST BE CENTERED OVER FIELD SPLICE AT ANGLE CHANGE.
- LAP SEALANT IS REQUIRED ON CUT-EDGES OF REINFORCED MEMBRANE.
- SEAM FASTENING PLATES/FASTENERS MAY BE INSTALLED INTO THE STRUCTURAL DECK.
- WHEN SEAM FASTENING PLATES/FASTENERS ARE INSTALLED HORIZONTALLY, HPV FASTENERS AND POLYMER SEAM PLATES ARE REQUIRED FOR MECHANICALLY-ATTACHED ROOFING SYSTEMS OVER STEEL DECKS.
- WHEN MECHANICAL FASTENERS ARE USED TO PENETRATE THE METAL COUNTER-FLASHING, USE EPDM WASHERS, APPLY WATER CUT-OFF MASTIC UNDER THE COUNTER-FLASHING OR CAULK THE FASTENER HEADS.
- MEMBRANE SPLICES SHALL INCORPORATE 6" (152mm) WIDE FIELD APPLIED QA SEAM TAPE FOR PROJECTS WITH 20, 25 and 30-YEAR WARRANTIES.



CURB FLASHING

→ EPDM MEMBRANE

→ APPROVED SUBSTRATE

0 → SEE NOTE(S)

THERMOSET ROOFING SYSTEM

VGC-5.1