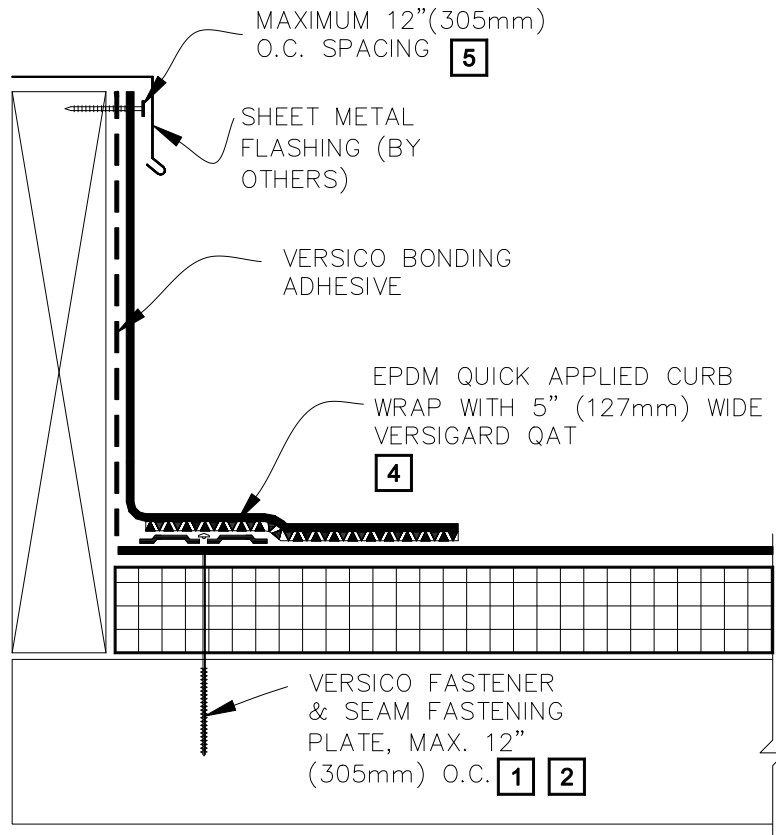


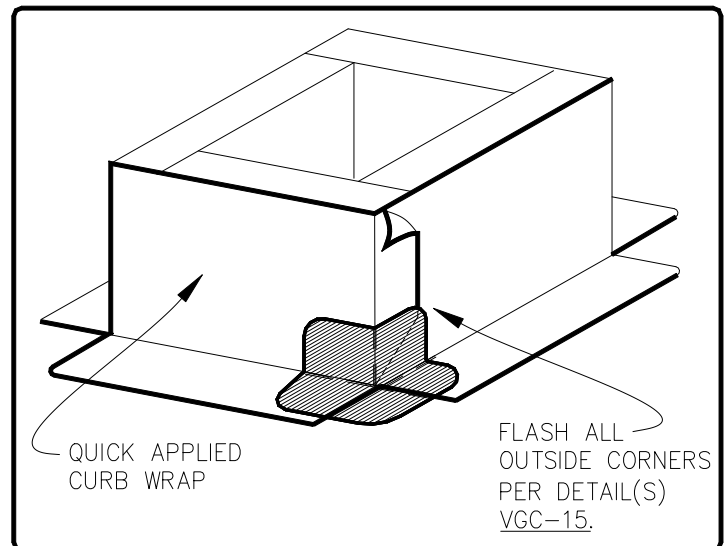
**CAUTION**

FOR PROJECTS WITH 25 & 30-YEAR WARRANTIES OR WHEN USING 90-MIL MEMBRANE, REFER TO DETAIL VGC-15.8 FOR REQUIRED CORNER ENHANCEMENTS.

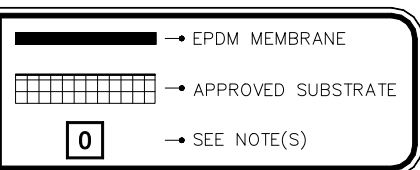


**NOTES:**

1. ON MECHANICALLY ATTACHED ROOFING SYSTEMS, HPV FASTENERS AND POLYMER SEAM PLATES ARE REQUIRED OVER STEEL DECKS.
2. SEAM FASTENING PLATES/FASTENERS MAY BE INSTALLED INTO THE VERTICAL SUBSTRATE.
3. IF THE VERTICAL SPLICE ON THE CURB FLASHING IS NOT LOCATED AT THE CORNER, 6" (152mm) WIDE QUICK APPLIED UNCURED EPDM OR T-JOINT FLASHING, IN CONJUNCTION WITH EPDM PRIMER, MUST BE CENTERED OVER FIELD SPLICE AT ANGLE CHANGE.
4. PRIOR TO THE INSTALLATION OF QUICK APPLIED CURB WRAP, APPLY EPDM PRIMER TO SPLICE AREA.
5. WHEN MECHANICAL FASTENERS ARE USED TO PENETRATE THE METAL COUNTER-FLASHING, USE EPDM WASHERS, APPLY WATER CUT-OFF MASTIC UNDER THE COUNTER-FLASHING OR CAULK THE FASTENER HEADS.



**QUICK APPLIED CURB WRAP**



THERMOSET ROOFING SYSTEM  
**VGC-5.2**