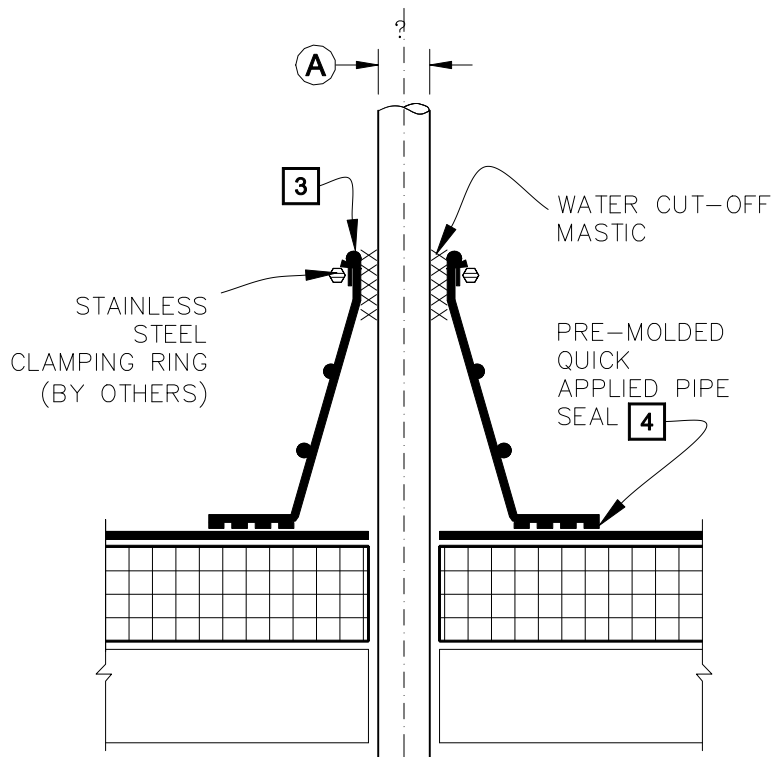


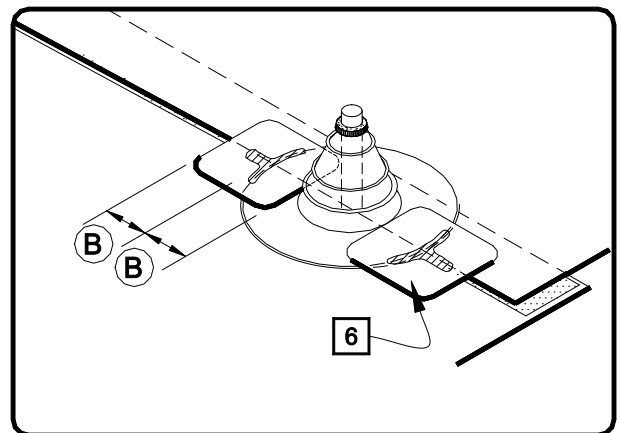
CAUTION FOR PROJECTS WITH 25 & 30-YEAR WARRANTIES OR WHEN USING 90-MIL MEMBRANE, REFER TO DETAIL VGC-8.1B FOR REQUIRED FLASHING ENHANCEMENTS.



NOTES:

1. REMOVE ALL LEAD AND OTHER FLASHING BEFORE INSTALLING QUICK APPLIED PIPE SEAL.
2. TEMPERATURE OF PIPE PENETRATION MUST NOT EXCEED 180°F (82°C).
3. PRE-MOLDED PIPE SEAL MUST HAVE INTACT RIB AT THE TOP EDGE REGARDLESS OF PIPE DIAMETER.
4. EPDM PRIMER MUST BE APPLIED TO MEMBRANE SURFACE PRIOR TO APPLYING QUICK APPLIED PIPE SEAL.
5. DECK FLANGES OF THE QUICK APPLIED PIPE SEAL SHALL NOT BE OVERLAPPED, CUT OR APPLIED OVER ANY ANGLE CHANGE.
6. WHEN A FIELD SPLICE INTERSECTS A PIPE SEAL, APPLY LAP SEALANT ALONG THE EDGE OF THE MEMBRANE SPLICE COVERING THE EXPOSED SPLICE TAPE 2" (51mm) IN EACH DIRECTION FROM THE SPLICE INTERSECTION & OVERLAY WITH A 6"X6" (152mm X 152mm) T-JOINT COVER.
7. ON MECHANICALLY-ATTACHED ROOFING SYSTEMS, ADDITIONAL MEMBRANE SECUREMENT IS REQUIRED. REFER TO DETAIL VGMA-8.1.

DIMENSIONS		mm	
A	1/2"	13	TO
	6"	152	
B	3"	76	



PRE-MOLDED QUICK-APPLIED PIPE SEAL

THERMOSET ROOFING SYSTEM

VGC-8.1A