

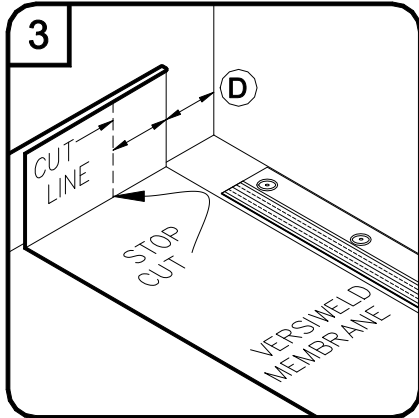
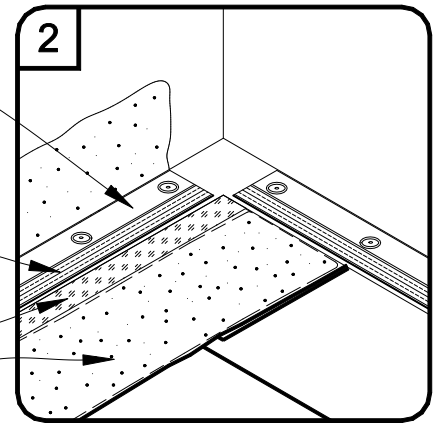
6" (152mm) WIDE
PRESSURE-SENSITIVE
RUSS

VERSIKO FASTENER &
SEAM FASTENING PLATE,
MAX. 12" (305mm) O.C.

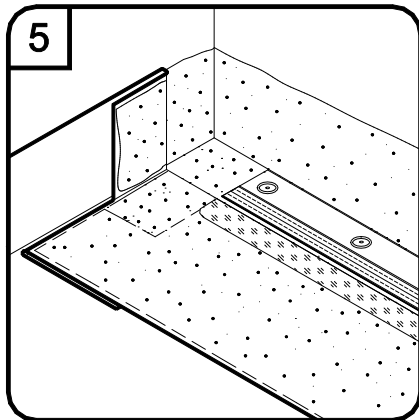
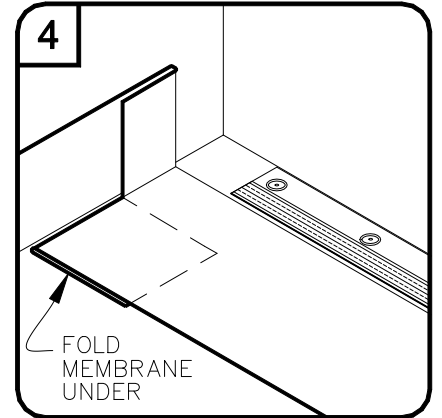
PRE-APPLIED QUICK
APPLIED TAPE

TPO PRIMER

VERSIWELD
BONDING ADHESIVE



DIMENSIONS	mm		
A	6"	152	TO
	9"	229	
B	1/8"	3	MIN.
	1"	25	MAX.
C	12"	305	MIN.
D	6"	152	MIN.
E	1-1/2"	38	MIN.

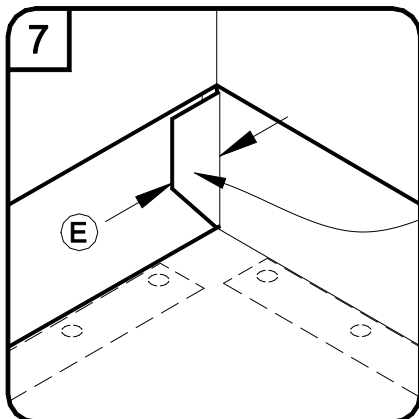
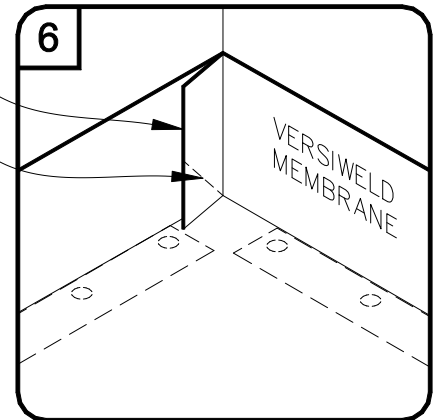


HOT AIR WELD FLAP
IN STEP 7

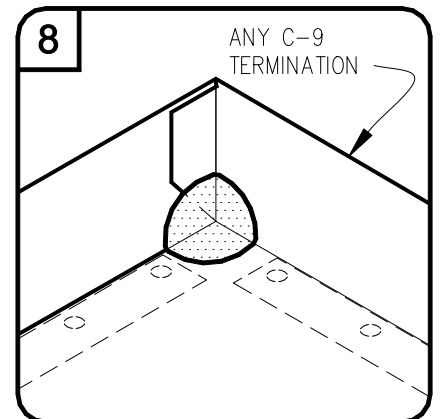
CUT AT 45°

NOTES:

1. THE CUT SECTION OF VERTICAL MEMBRANE WILL BE FOLDED UNDER THE FIELD MEMBRANE AS SHOWN IN STEP 4.
2. APPLY INSIDE CORNER IN ACCORDANCE WITH VERSIKO DETAILS TPC-15.1 OR TPC-15.2.



HOT AIR WELD



**PARAPET FLASHING WITH
PRESSURE-SENSITIVE
RUSS, PAGE 2 OF 2**

