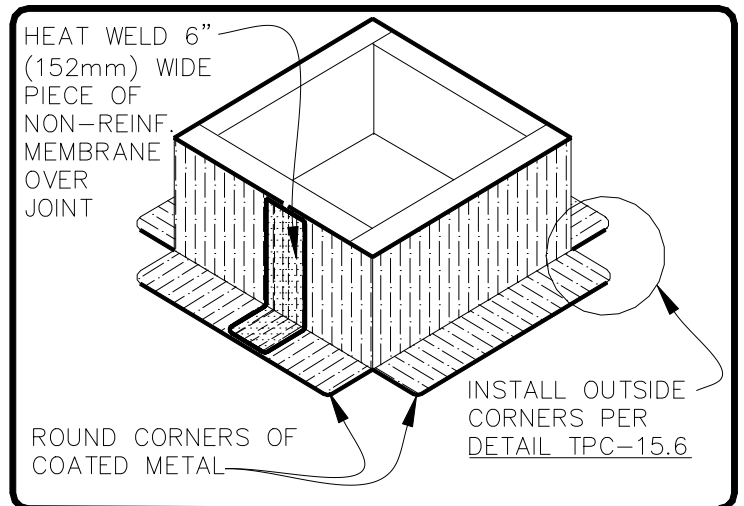
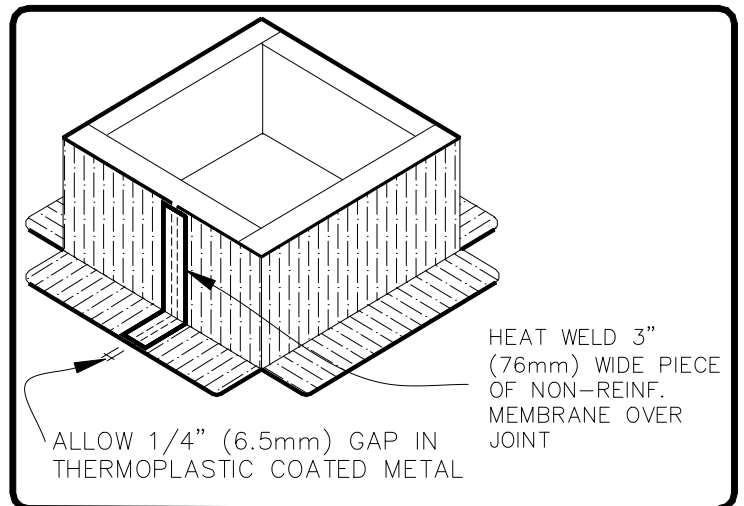


NOTES:

1. WOOD NAILER MUST EXTEND PAST TOTAL WIDTH OF COATED METAL DECK FLANGE.
2. WHEN MECHANICAL FASTENERS ARE USED TO PENETRATE THE METAL COUNTER-FLASHING, USE EPDM WASHERS, APPLY WATER CUT-OFF MASTIC UNDER THE COUNTER-FLASHING OR CAULK THE FASTENER HEADS.
3. APPROXIMATELY 1/8" (3mm) DIAMETER BEAD OF CUT-EDGE SEALANT IS REQUIRED ON CUT EDGES OF REINFORCED TPO MEMBRANE AND RECOMMENDED ON CUT EDGES OF VERSIFLEX PVC MEMBRANE.
4. FASTEN COATED METAL USING 1-1/2" (38mm) MIN. RING SHANK NAILS AT 6" (152mm) STAGGERED APPROX. 1/2" (13mm).



COATED METAL CURB FLASHING

THERMOPLASTIC ROOFING SYSTEM

TPC-5.2