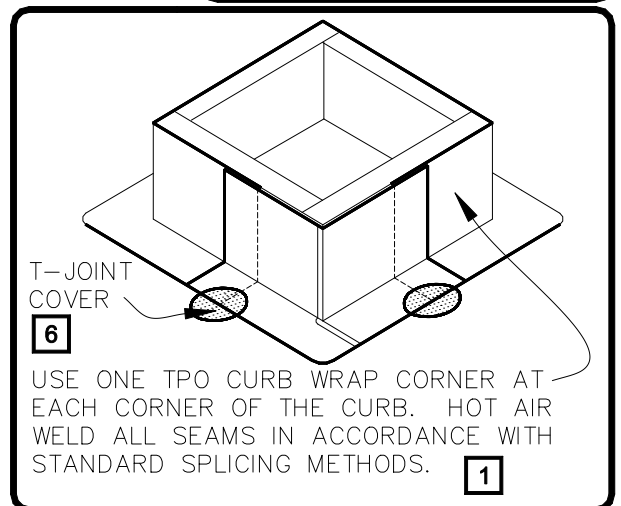


TPO ONLY
(NOT FOR PVC)

NOTES:

1. FOUR (4) CURB WRAP CORNERS WILL COMPLETELY FLASH A MAXIMUM CURB SIZE OF 3'X3' (914mm X 914mm). FOR LARGER CURBS USE THE TPO CURB WRAP CORNERS IN CONJUNCTION WITH ADDITIONAL SECTIONS OF VERSIWELD TPO MEMBRANE.
2. WHEN MECHANICAL FASTENERS ARE USED TO PENETRATE THE METAL COUNTER-FLASHING, USE EPDM WASHERS, APPLY WATER CUT-OFF MASTIC UNDER THE COUNTER-FLASHING OR CAULK THE FASTENER HEADS.
3. APPROXIMATELY 1/8" (3mm) BEAD OF CUT-EDGE SEALANT IS REQUIRED ON THE CUT EDGES OF THE TPO FIELD WRAP CORNER.
4. REFER TO VERSICO SPECIFICATIONS FOR ACCEPTABLE VERSICO FASTENERS AND PLATES.
5. CUSTOM SIZES ARE AVAILABLE FOR CURB FLASHING HEIGHTS GREATER THAN 12" (305mm).
6. REGARDLESS OF THE FIELD MEMBRANE THICKNESS, THE INTERSECTIONS BETWEEN SPLICES MUST BE OVERLAID WITH A THERMOPLASTIC "T-JOINT" COVER.

DIMENSIONS		mm
A	12"	305



PRE-FABRICATED TPO CURB WRAP CORNER

THERMOPLASTIC ROOFING SYSTEM

TPC-5.3