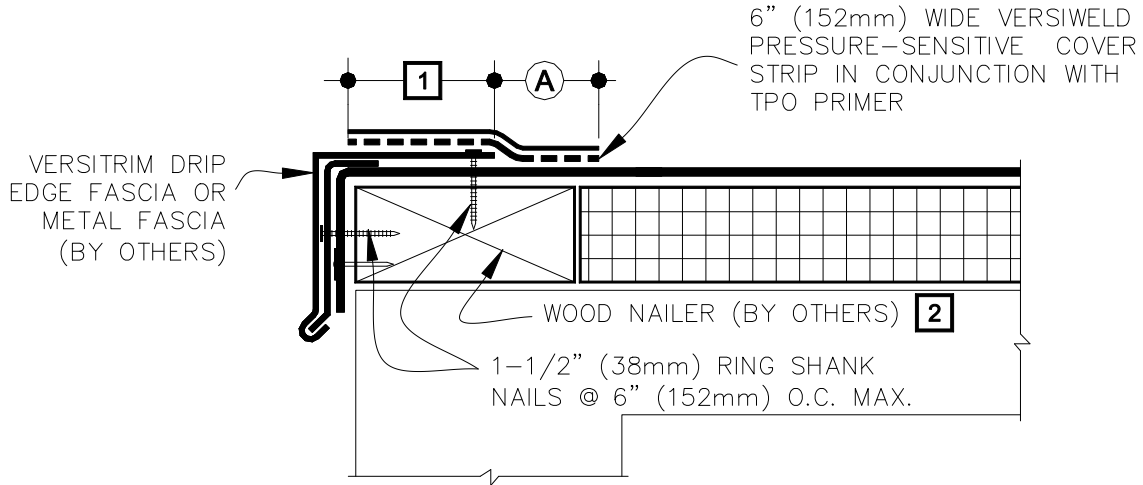


CAUTION

DETAIL NOT FOR USE ON 25 OR 30-YEAR WARRANTY PROJECTS. ACCEPTABLE EDGING SHALL CONFORM WITH THERMOPLASTIC COMMON DETAILS TPC-1.2, 1.3, 1.4, 1.5 OR 1.6.

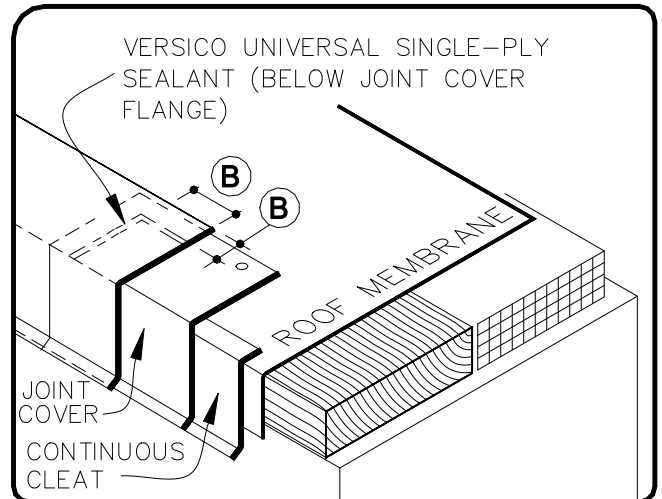


TPO ONLY
(NOT FOR PVC)

NOTES:

- METAL FASCIA DECK FLANGE MUST BE TOTALLY COVERED BY TPO PRESSURE-SENSITIVE COVER STRIP WITH MINIMUM 2" (51mm) COVERAGE PAST NAIL HEADS.
- WOOD NAILER MUST EXTEND PAST TOTAL WIDTH OF METAL FASCIA DECK FLANGE.
- TO REMOVE FINISHING OILS, SCRUB METAL FLANGE WITH WEATHERED MEMBRANE CLEANER; ALLOW TO DRY PRIOR TO APPLYING PRIMER.
- APPLY TPO PRIMER TO METAL FLANGE AND MEMBRANE SURFACE PRIOR TO INSTALLING TPO PRESSURE-SENSITIVE COVER STRIP.
- WHEN METAL FASCIA BY OTHERS IS USED, FASTENER TYPE AND FASTENING FREQUENCY SHALL BE RECOMMENDED BY METAL EDGE MANUFACTURER.
- TO ENSURE TPO PRESSURE-SENSITIVE COVER STRIP CONFORMS TO STEP-OFFS, HEAT COVER STRIP AT SPLICE INTERSECTIONS PRIOR TO ROLLING.

DIMENSIONS		mm	
(A)	2"	51	MIN.
(B)	1/2"	13	TO
	1"	25	



VERSITRIM DRIP EDGE FASCIA

— TPO MEMBRANE

— APPROVED SUBSTRATE

0 → SEE NOTE(S)

THERMOPLASTIC ROOFING SYSTEM

TPC-1.1