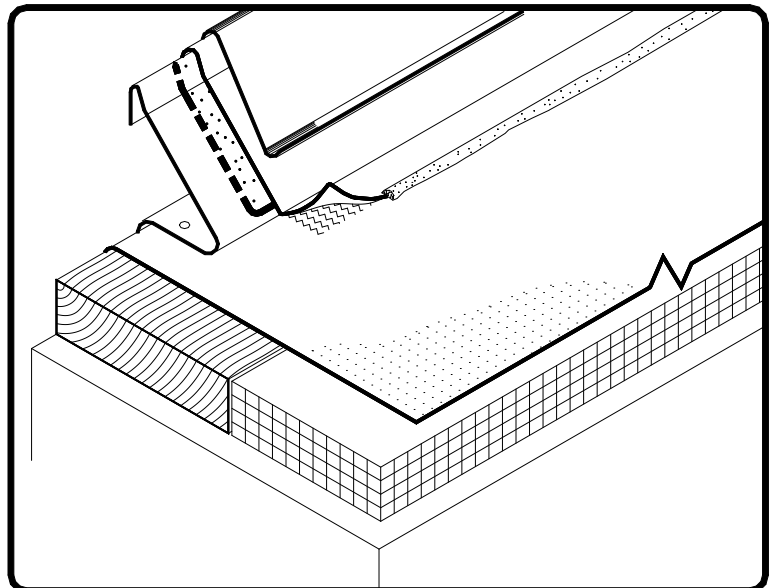
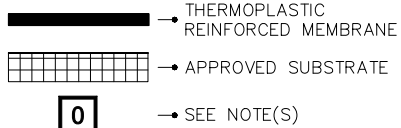



NOTES:

1. REFER TO VERSITRIM 300 INSTRUCTION MANUAL FOR STEP-BY-STEP INSTALLATION PROCEDURES.
2. WOOD NAILER MUST EXTEND PAST TOTAL WIDTH OF VERSITRIM DECK FLANGE.
3. APPROXIMATELY 1/8" (3mm) DIAMETER BEAD OF CUT-EDGE SEALANT IS REQUIRED ON CUT EDGES OF REINFORCED TPO MEMBRANE AND RECOMMENDED ON CUT EDGES OF VERSIFLEX PVC MEMBRANE.
4. WHEN METAL FASCIA BY OTHERS IS USED, FASTENER TYPE AND FASTENING FREQUENCY SHALL BE RECOMMENDED BY METAL EDGE MANUFACTURER.



VERSITRIM 300



 ———→ THERMOPLASTIC REINFORCED MEMBRANE
 → APPROVED SUBSTRATE
 [0] → SEE NOTE(S)

THERMOPLASTIC ROOFING SYSTEM

TPC-1.5