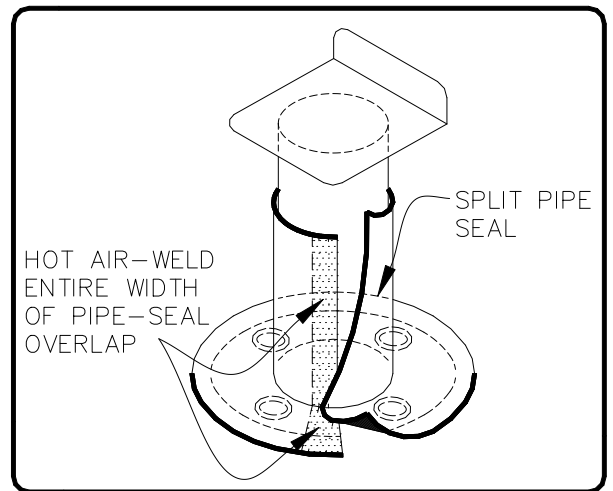


NOTES:

1. REMOVE ALL EXISTING LEAD AND FLASHING MATERIAL BEFORE INSTALLING SPLIT PIPE FLASHING.
2. TEMPERATURE OF THE PIPE PENETRATION MUST NOT EXCEED 140°F (60°C) WHEN USING PVC AND 160°F (71°C) WHEN USING TPO FLASHING.
3. INSTALL A MINIMUM OF 4 FASTENERS AND PLATES AROUND THE PIPE, EQUALLY SPACED. IF FASTENERS AND PLATES CANNOT BE INSTALLED AS SHOWN, THEY MAY ALSO BE POSITIONED OUTSIDE THE PIPE MAXIMUM 12" (305mm) O.C. AND FLASHED WITH THERMOPLASTIC REINFORCED MEMBRANE/CUT-EDGE SEALANT. REFER TO DETAIL TPC-8.2.
4. FASTENERS AND PLATES ARE NOT REQUIRED ON ADHERED SYSTEMS UNLESS PIPE DIAMETER EXCEEDS 18" (457mm).
5. ON MECHANICALLY ATTACHED SYSTEMS, HPVX FASTENERS AND PLATES OR HPV-XL FASTENERS AND PLATES ARE REQUIRED OVER STEEL AND WOOD DECKS. ON CONCRETE DECKS, CD-10 OR MP 14-10 FASTENERS ARE USED WITH HPVX PLATES.
6. APPROXIMATELY 1/8" (3mm) DIAMETER BEAD OF CUT-EDGE SEALANT IS REQUIRED ON CUT EDGES OF REINFORCED TPO MEMBRANE AND RECOMMENDED ON CUT EDGES OF VERSIFLEX PVC MEMBRANE.
7. REGARDLESS OF THE FIELD MEMBRANE THICKNESS, THERMOPLASTIC "T-JOINT" COVERS ARE REQUIRED OVER THE SPLICE INTERSECTIONS OF THE SPLIT PIPE SEAL.



**PRE-FABRICATED SPLIT PIPE SEAL**

THERMOPLASTIC ROOFING SYSTEM

**TPC-8.4**