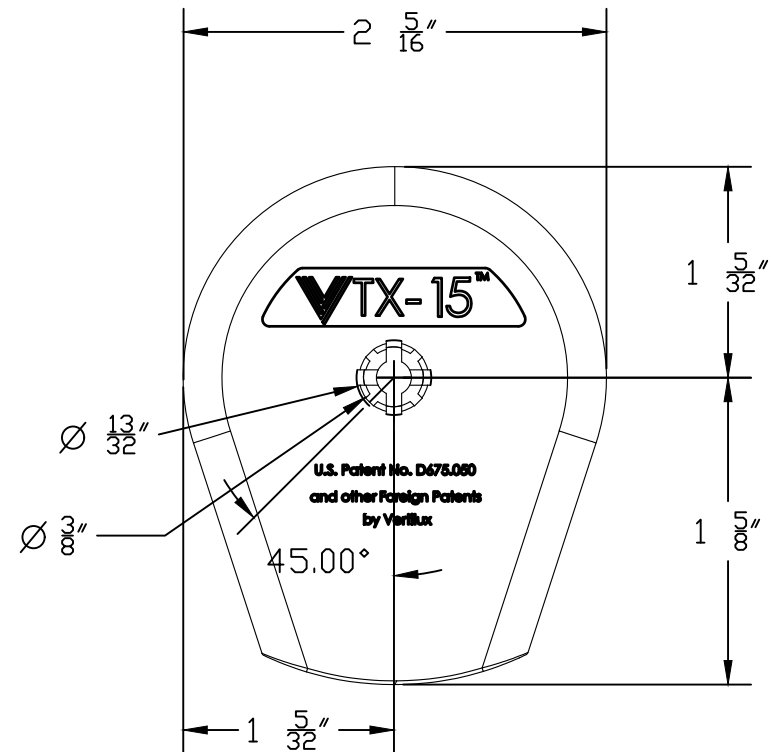
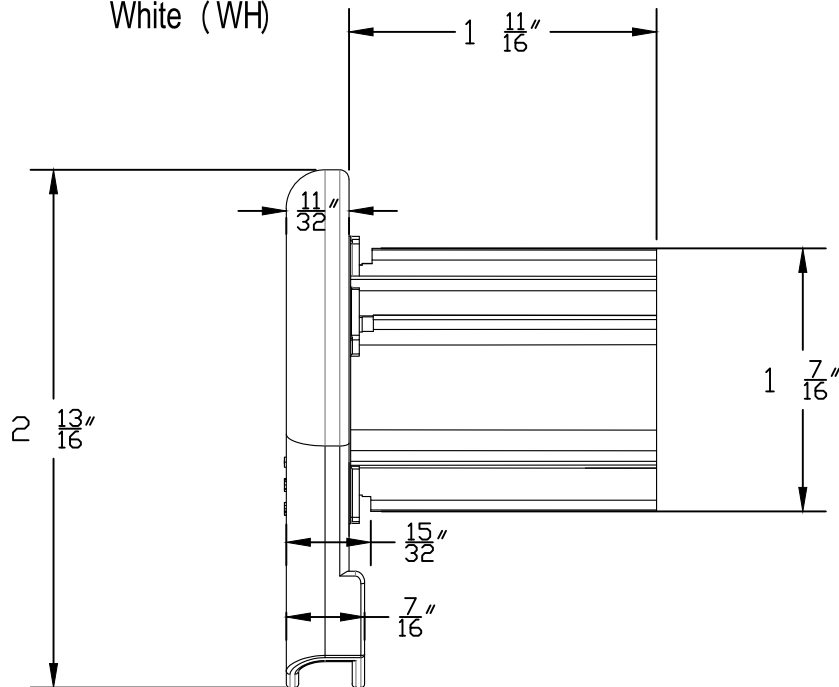


Colors: Black (BK)  
 Brown (BR)  
 Grey (GR)  
 Ivory (IV)  
 White (WH)

Elegant (CL) Roller Shade Clutch, HM

0-154-CL-V17XX

XX=COLOR



Note: Dimensions are in Inches

Tolerance is  $\pm 0.002$ " /0.05 mm

It will need adapter for the following tubes:

1 3/4"/45mm tube: 0-154-PA-XXX01

2"/50mm tube: 0-154-AD-XA250

2 1/2"/63mm tube: 0-154-AX-GA025

U.S. PATENT No. D675.050 AND OTHER FOREIGN PATENTS BY VERTILUX

MATERIAL  
 High Impact Nylon 6 With 30% Fiberglass

Dimensions are subject to change without notice

**Vertilux** BLINDS & SHADES

TITLE  
 VTX17 Tab Mount, Elegant  
 For 1 1/2"/ 38mm Tubes