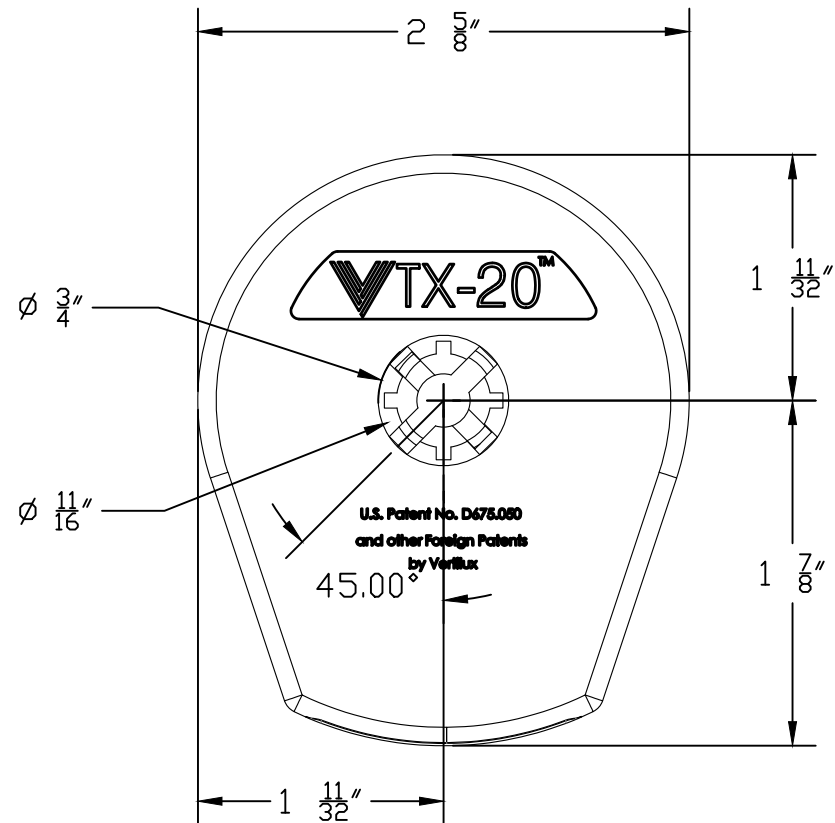
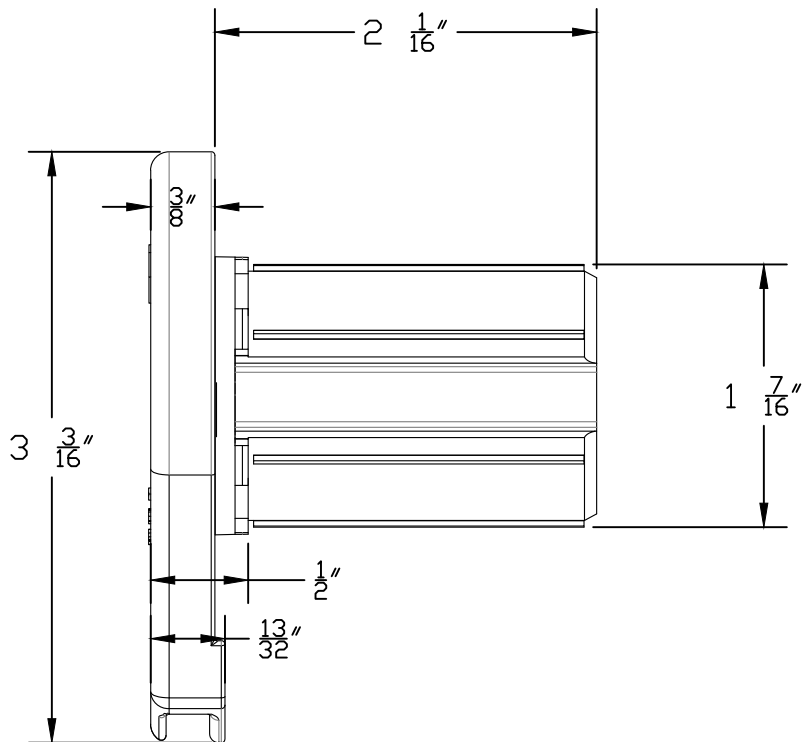


Colors: Black (BK)
 Brown (BR)
 Grey (GR)
 Ivory (IV)
 White (WH)

Elegant (CL) Roller Shade Clutch, HM

0-154-CL-V20XX

XX=COLOR



Note: Dimensions are in Inches

Tolerance is ± 0.002 " / 0.05 mm

It will need adapter for the following tubes:

1 3/4"/45mm tube: 0-154-PA-XXX01

2"/50mm tube: 0-154-AD-XA250

2 1/2"/63mm tube: 0-154-AX-GA025

U.S. PATENT No. D676.050 AND OTHER FOREIGN PATENTS BY VERTILUX

MATERIAL

High Impact Nylon 6 With 30% Fiberglass

Dimensions are subject to change without notice

Vertilux BLINDS & SHADES

TITLE

VTX20 Tab Mount, Elegant
 For 1 1/2"/ 38mm Tubes