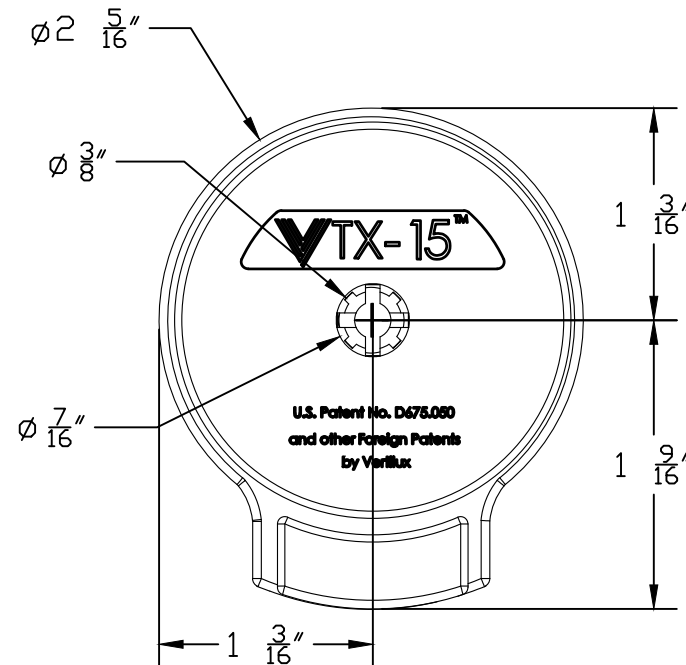
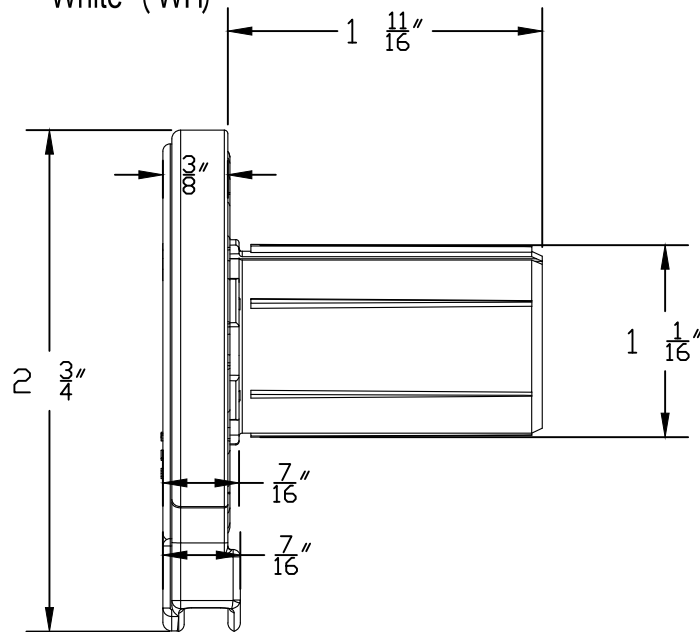


Colors: Black (BK)
 Brown (BR)
 Grey (GR)
 Ivory (IV)
 White (WH)

Designer (DC) Roller Shade Clutch, TM

0-154-DC-V15XX

XX=COLOR



Note: Dimensions are in Inches

Tolerance is 0.002" / 0.05 mm

It will need adapter 0-154-AD-V32XX for 1 1/4"/32mm tubes
 or adapter 0-154-AD-V38XX for 1 1/2"/38mm tubes.

U.S. PATENT No. D675.050 AND OTHER FOREIGN PATENTS BY VERTILUX

Vertilux BLINDS & SHADES

MATERIAL

High Impact Nylon 6 With 30% Fiberglass

TITLE

VTX15 Tab Mount, Designer
 For 1 1/8"/ 28mm Tubes

Dimensions are subject to change without notice