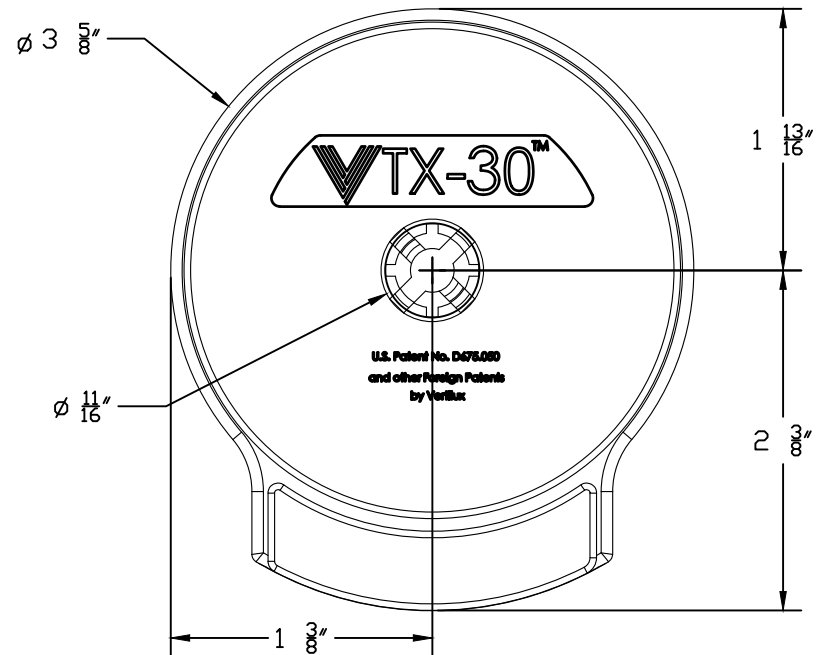
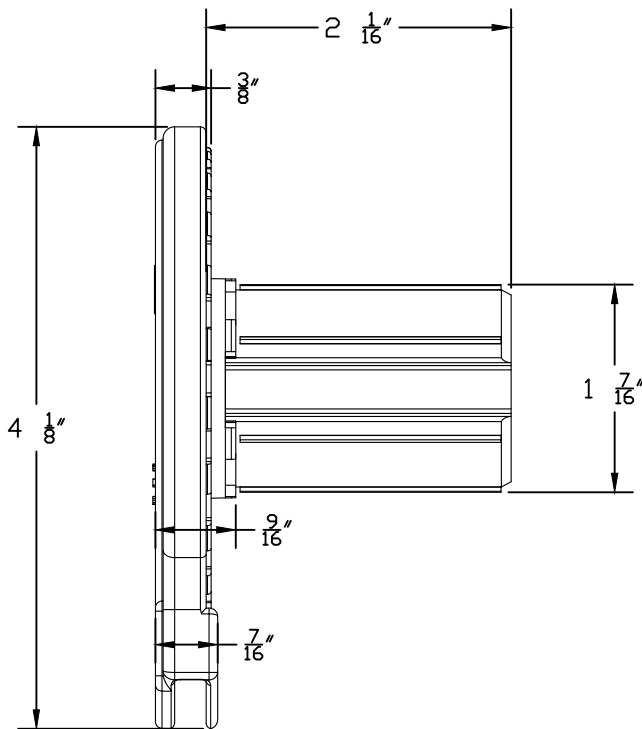


Colors: Black (BK)  
 Brown (BR)  
 Grey (GR)  
 Ivory (IV)  
 White (WH)

Designer (DC) Roller Shade Clutch, TM

0-154-DC-V30XX

XX=COLOR



Note: Dimensions are in Inches  
 Tolerance is  $\pm 0.002'' / 0.05 \text{ mm}$   
 It will need an adapter for the following tubes:  
 2"/50mm tube: 0-154-AD-XA250  
 2 1/2"/63mm tube: 0-154-AX-GA025

U.S. PATENT No. D675.050 AND OTHER FOREIGN PATENTS BY VERTILUX

**Vertilux** BLINDS & SHADES

MATERIAL  
 High Impact Nylon 6 With 30% Fiberglass

TITLE  
 VTX30 Tab Mount, Designer  
 for 1 1/2"/ 38mm Tubes

Dimensions are subject to change without notice