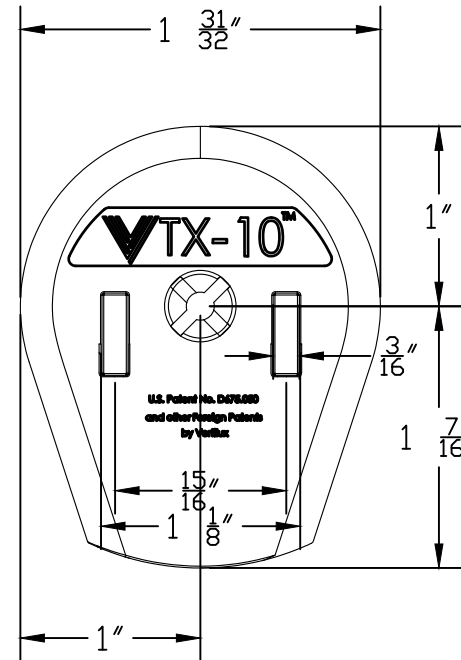
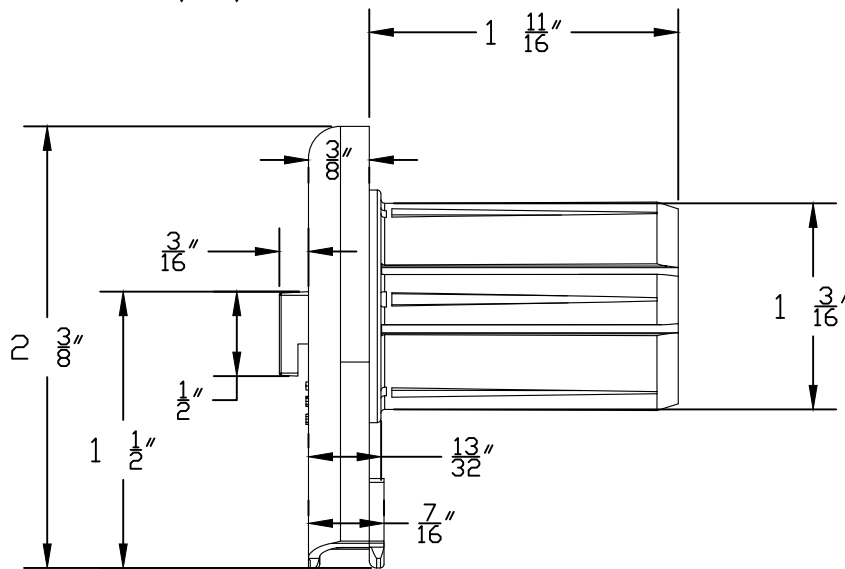


Colors: Black (BK)
 Brown (BR)
 Grey (GR)
 Ivory (IV)
 White (WH)

Elegant (CL) Roller Shade Clutch, HM

0-155-CL-V11XX

XX=COLOR



Note: Dimensions are in Inches
 Tolerance is ± 0.002 " / 0.05 mm
 It will need adapter 0-154-AD-V38XX for 1 1/2"/38mm tubes.
 Unloaded Pull Force: 0.10 lb

U.S. PATENT No. D675.050 AND OTHER FOREIGN PATENTS BY VERTILUX

Vertilux BLINDS & SHADES

MATERIAL
 High Impact Nylon 6 With 30% Fiberglass

TITLE
 VTX11 Hook Mount, Elegant
 For 1 1/4" / 32mm Tubes

Dimensions are subject to change without notice