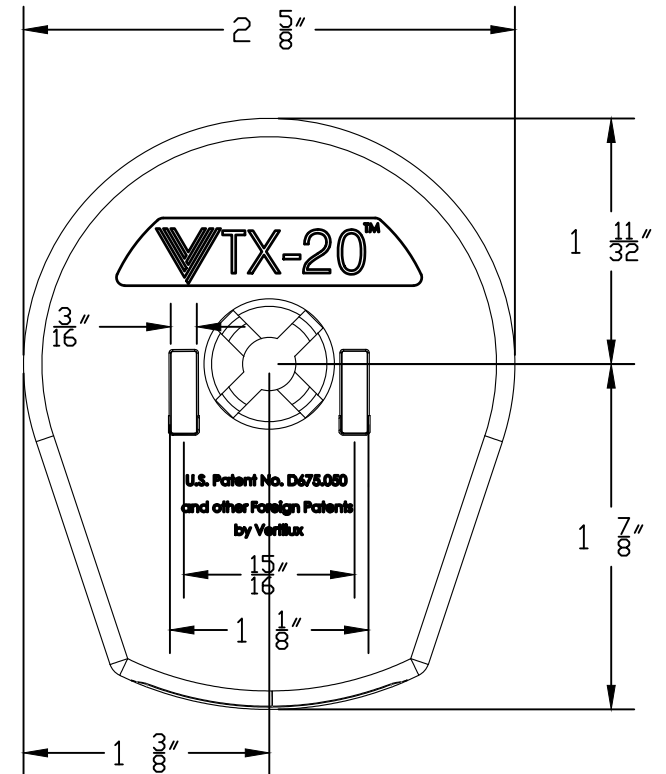
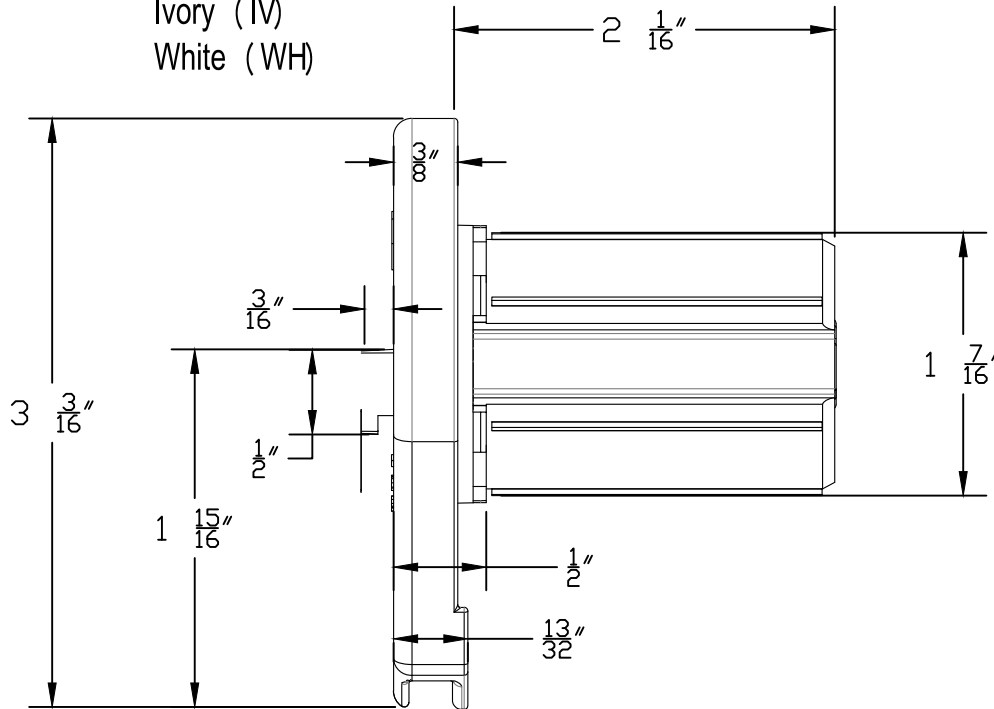


Colors: Black (BK)
 Brown (BR)
 Grey (GR)
 Ivory (IV)
 White (WH)

Elegant (CL) Roller Shade Clutch, HM

0-155-CL-V20XX

XX=COLOR



Note: Dimensions are in Inches
 Tolerance is $0.002'' / 0.05 \text{ mm}$
 It will need adapter for the following tubes:
 1 3/4"/45mm tube: 0-154-PA-XXX01
 2"/50mm tube: 0-154-AD-XA250
 2 1/2"/63mm tube: 0-154-AX-GA025
 Unloaded Pull Force: 1.1 lb

U.S. PATENT No. D675.050 AND OTHER FOREIGN PATENTS BY VERTILUX

Vertilux BLINDS & SHADES

MATERIAL
 High Impact Nylon 6 With 30% Fiberglass

TITLE
 VTX20 Hook Mount, Elegant
 For 1 1/2"/ 38mm Tubes

Dimensions are subject to change without notice