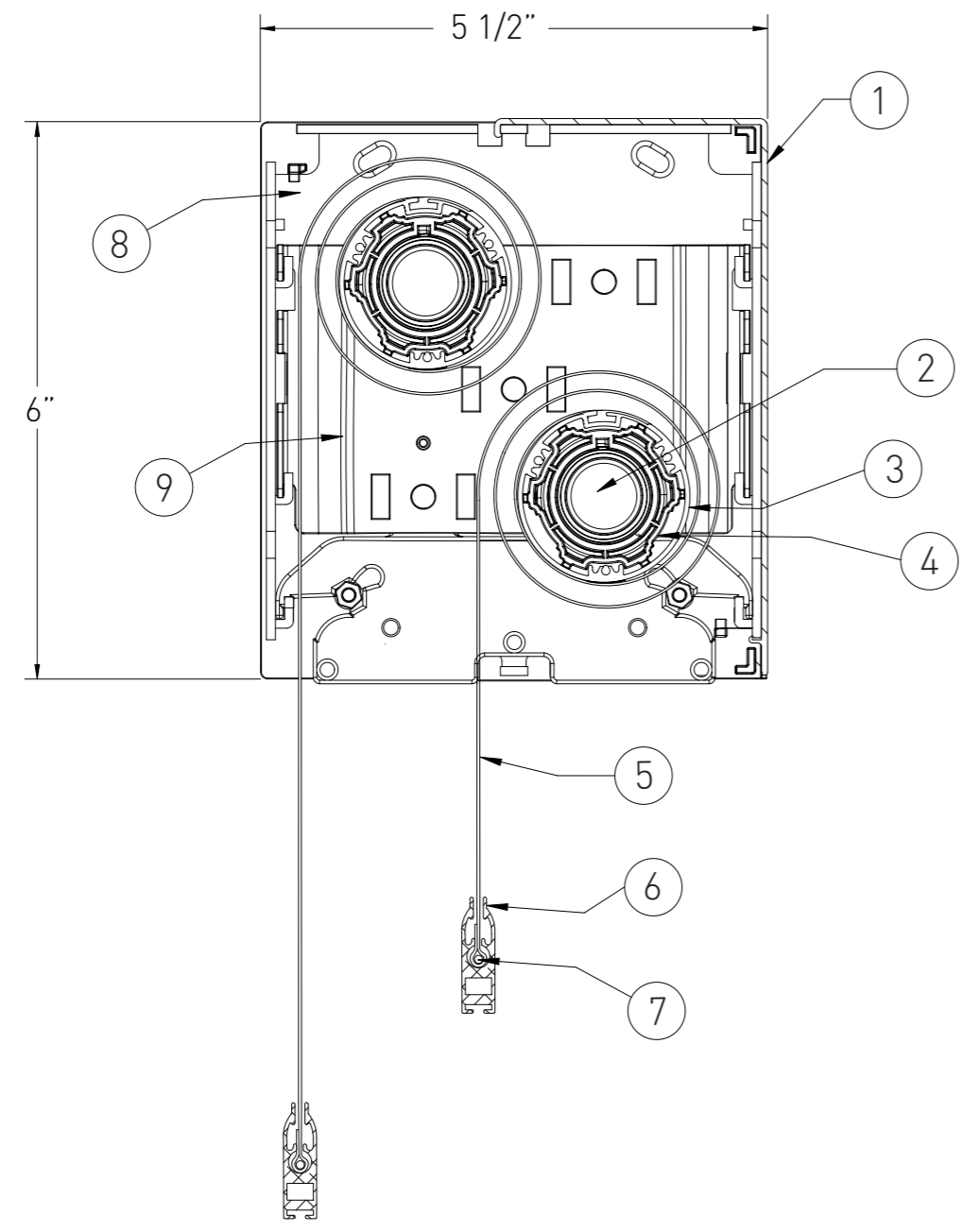


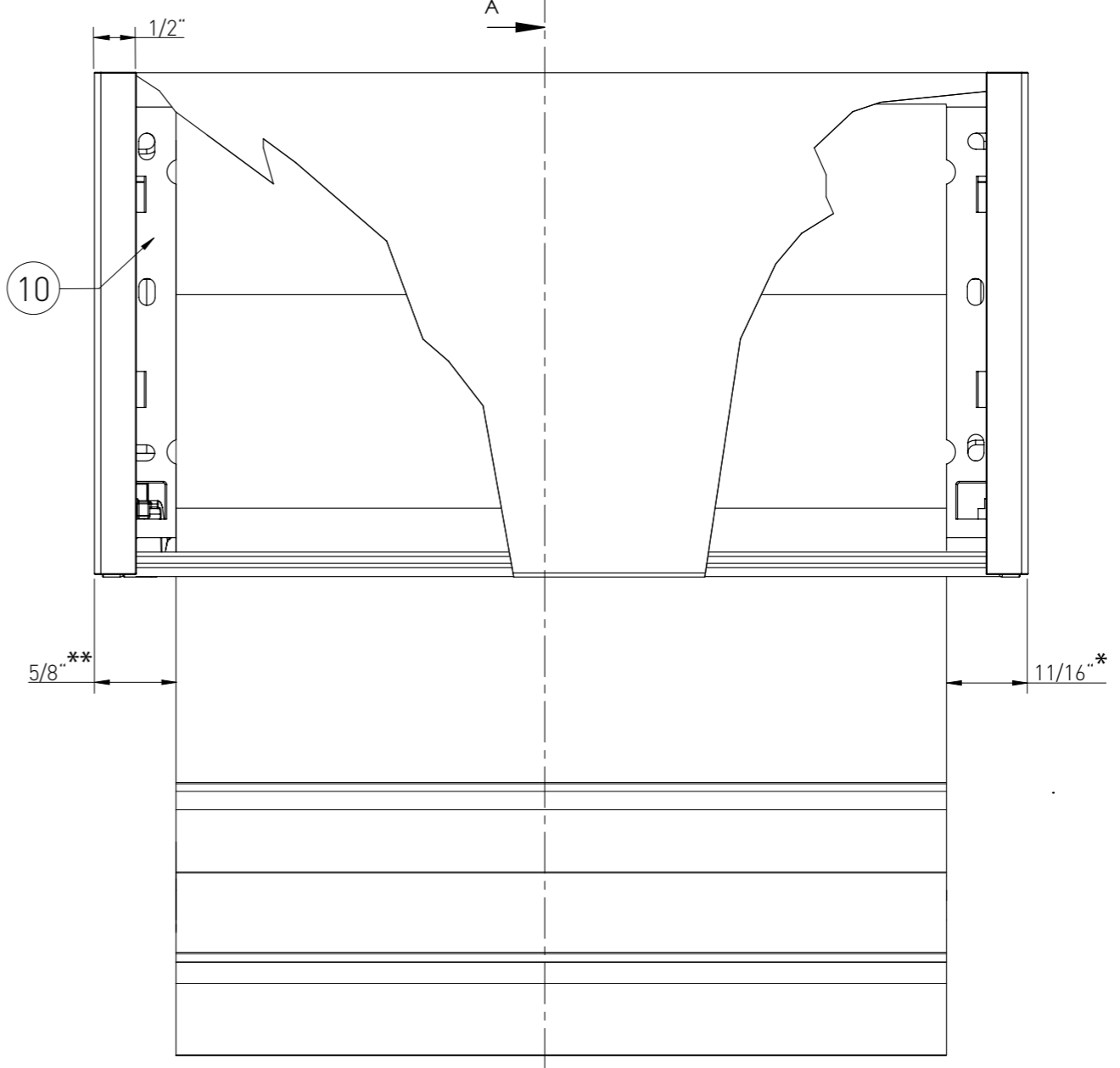
12 11 10 9 8 7 6 5 4 3 2 1

H IDLER END SIDE MOTOR SIDE H



IDLER END SIDE

MOTOR SIDE



- 1.- 6" FASCIA
- 2.- MOTOR
- 3.- TUBE
- 4.- ADAPTER
- 5.- FABRIC
- 6.- BOTTOM RAIL
- 7.- FIBERGLASS INSERT
- 8.- 6" FASCIA BASE BRACKET
- 9.- 6" FASCIA BASE HM TEMPLATE
- 10.- 6" FASCIA PLASTIC END COVER

* COULD BE BIGGER DEPENDING ON THE MOTOR USED.
 ** COULD BE BIGGER DEPENDING ON THE PIN END, TUBE AND ADAPTER USED.

Vertilux BLINDS & SHADES

TITLE 6" ENGINEERED FASCIA
 2 SHADES: MOTORIZED OPERATION

DATE: MARCH 2021

SHEET 1 OF 1

12 11 10 9 8 7 6 5 4 3 2 1

A A