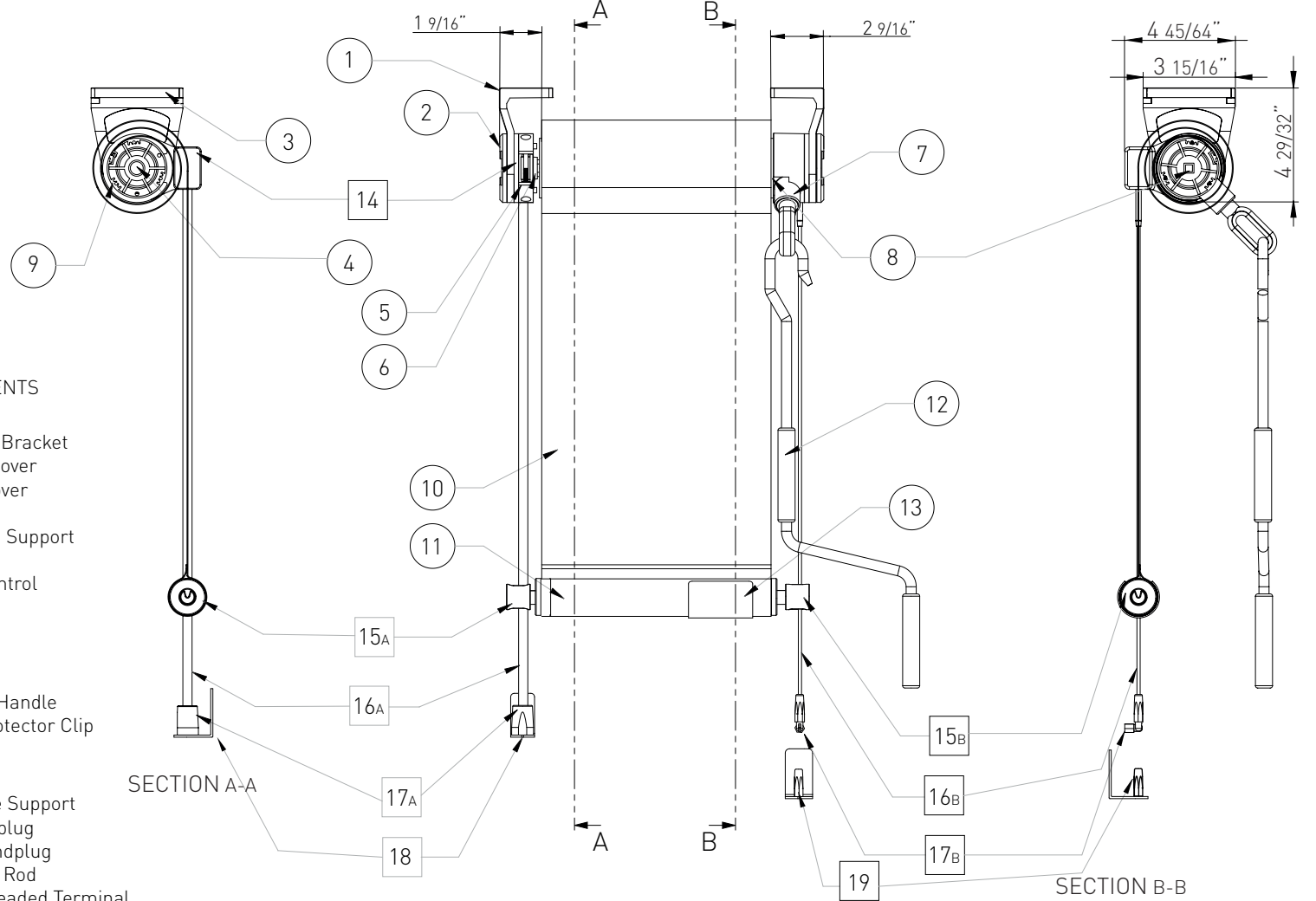


12 11 10 9 8 7 6 5 4 3 2 1

- RIGHT SIDE VIEW -

- LEFT SIDE VIEW -



COMMON COMPONENTS FOR CRANK SYSTEM

- 1.- Arion Installation Bracket
- 2.- Lateral Bracket Cover
- 3.- Bracket Screw Cover
- 4.- Endplug Round
- 5.- Threaded Pin End Support
- 6.- Pin End Bushing
- 7.- Crank System Control
- 8.- Endplug Square
- 9.- Aluminum Tube
- 10.- Fabric
- 11.- Bottom Rail
- 12.- Manual System Handle
- 13.- Clear Plastic Protector Clip

GUIDED OPTIONS

- 14.- Cable/Rod Guide Support
- 15A.- Rod Guide Endplug
- 15B.- Cable Guide Endplug
- 16A.- Stainless Steel Rod
- 16B.- Cable with Threaded Terminal
- 17A.- Rod Fastener - Floor
- 17B.- Cable Fastener for Wall or Floor
- 18.- Angle Bracket for SS Cable or Rod Fastener
- 19.- Cable Fastener for Floor

SHEET 1 OF 1

Vertilux BLINDS & SHADES

TITLE ARION MANUAL GUIDED SYSTEM

DATE: SEPTEMBER 2020

12 11 10 9 8 7 6 5 4 3 2 1