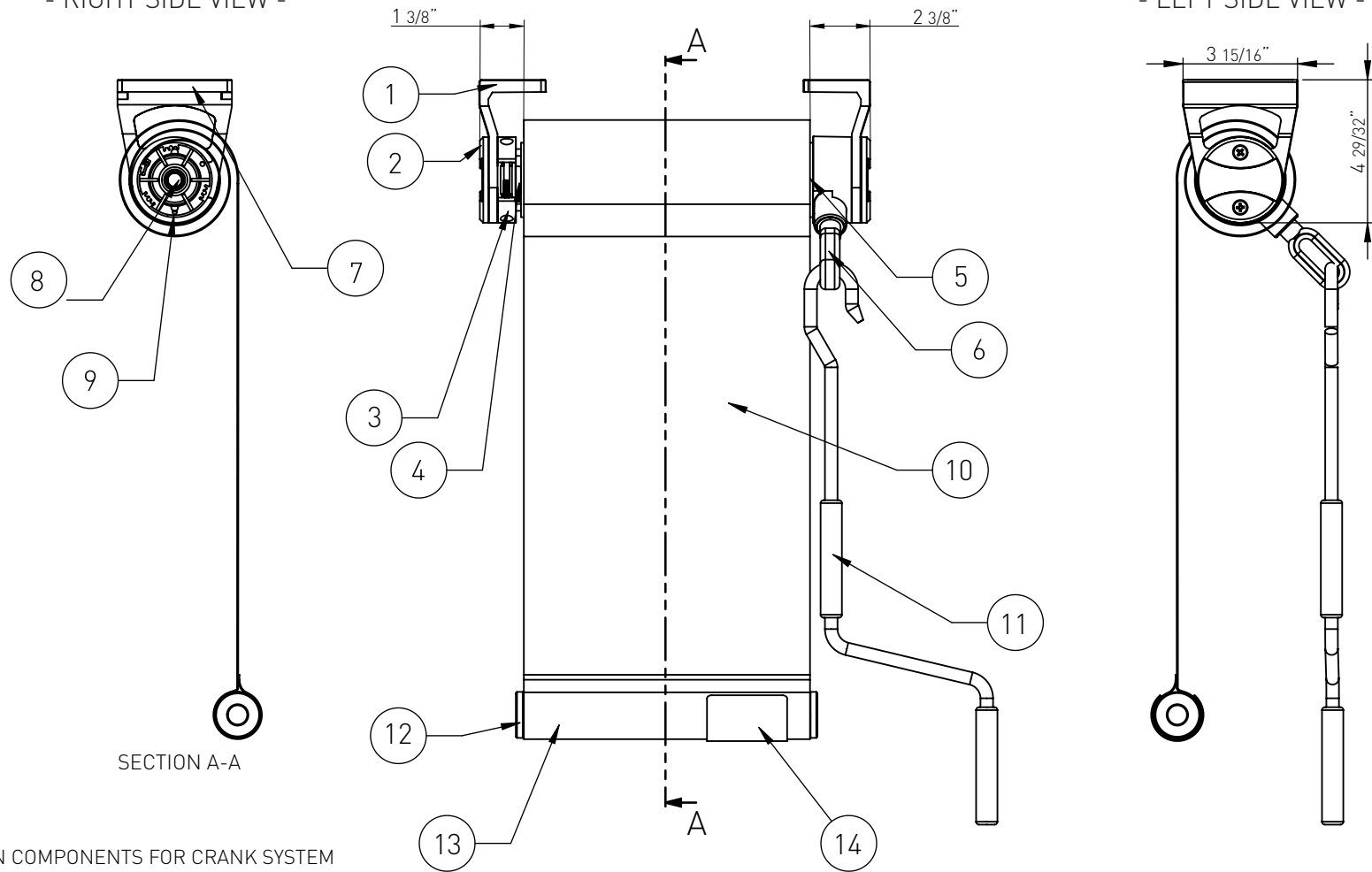


12 11 10 9 8 7 6 5 4 3 2 1

- RIGHT SIDE VIEW -

- LEFT SIDE VIEW -



SECTION A-A

COMMON COMPONENTS FOR CRANK SYSTEM

- |                                |                          |                                   |
|--------------------------------|--------------------------|-----------------------------------|
| 1.- Arion Installation Bracket | 6.- Crank System Control | 11.- Manual System Handle         |
| 2.- Lateral Bracket Cover      | 7.- Bracket Screw Cover  | 12.- Bottomrail End Cap           |
| 3.- Threaded Pin End Support   | 8.- Endplug Round        | 13.- Bottomrail                   |
| 4.- Pin End Bushing            | 9.- Aluminum Tube        | 14.- Clear Plastic Protector Clip |
| 5.- Endplug Square             | 10.- Fabric              |                                   |

**Vertilux** BLINDS & SHADES

TITLE ARION MANUAL SYSTEM

DATE: SEPTEMBER 2020

SHEET 1 OF 1

12 11 10 9 8 7 6 5 4 3 2 1

H  
G  
F  
E  
D  
C  
B  
A

H  
G  
F  
E  
D  
C  
B  
A