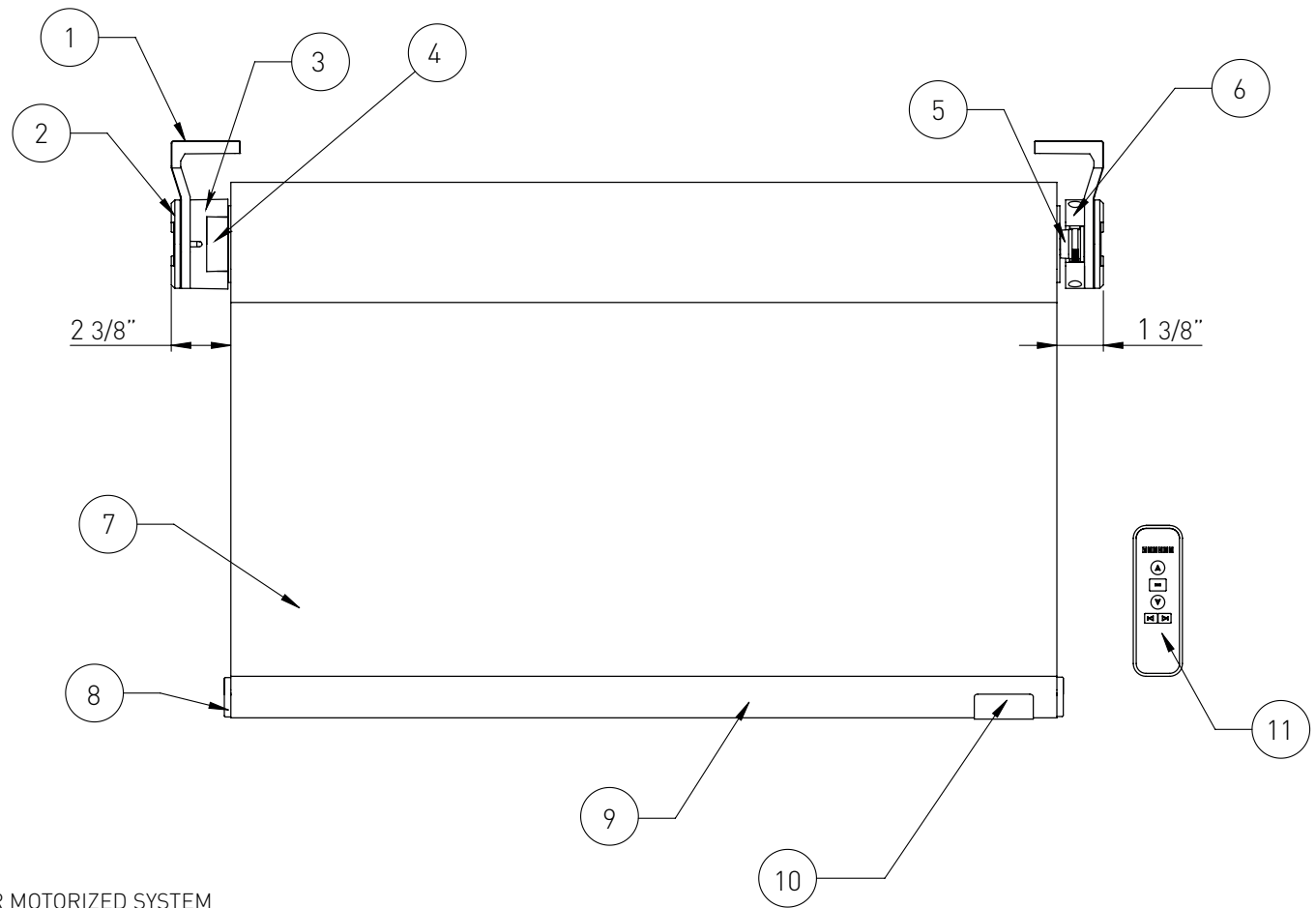
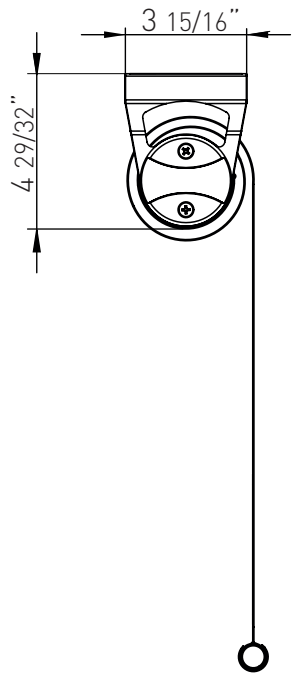


12 | 11 | 10 | 9 | 8 | 7 | 6 | 5 | 4 | 3 | 2 | 1

- RIGHT SIDE VIEW -



COMMON COMPONENTS FOR MOTORIZED SYSTEM

- | | |
|----------------------------------|-----------------------------------|
| 1.- Arion Installation Bracket | 7.- Fabric |
| 2.- Lateral Bracket Cover | 8.- Bottomrail End Cap |
| 3.- Motor Installation Support | 9.- Bottomrail |
| 4.- Motor Installation Cover Cap | 10.- Clear Plastic Protector Clip |
| 5.- Pin End Bushing | 11.- Remote Control |
| 6.- Threaded Pin End Support | |

Vertilux BLINDS & SHADES

TITLE ARION MOTORIZED SYSTEM

DATE: SEPTEMBER 2020

SHEET 1 OF 1

12 | 11 | 10 | 9 | 8 | 7 | 6 | 5 | 4 | 3 | 2 | 1