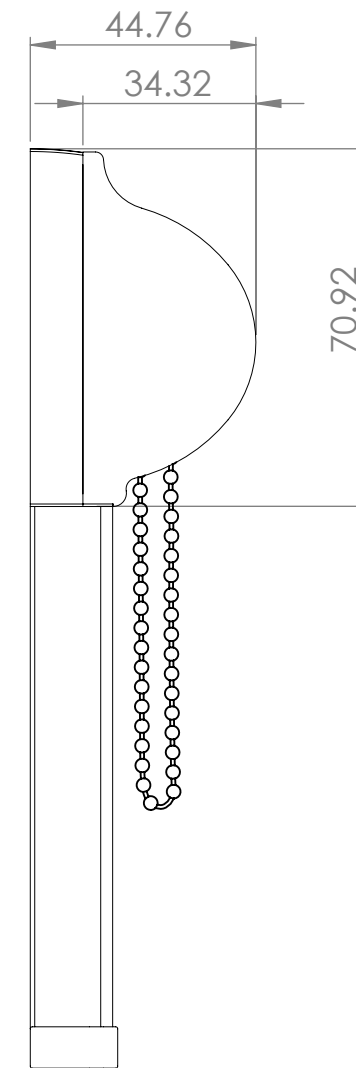
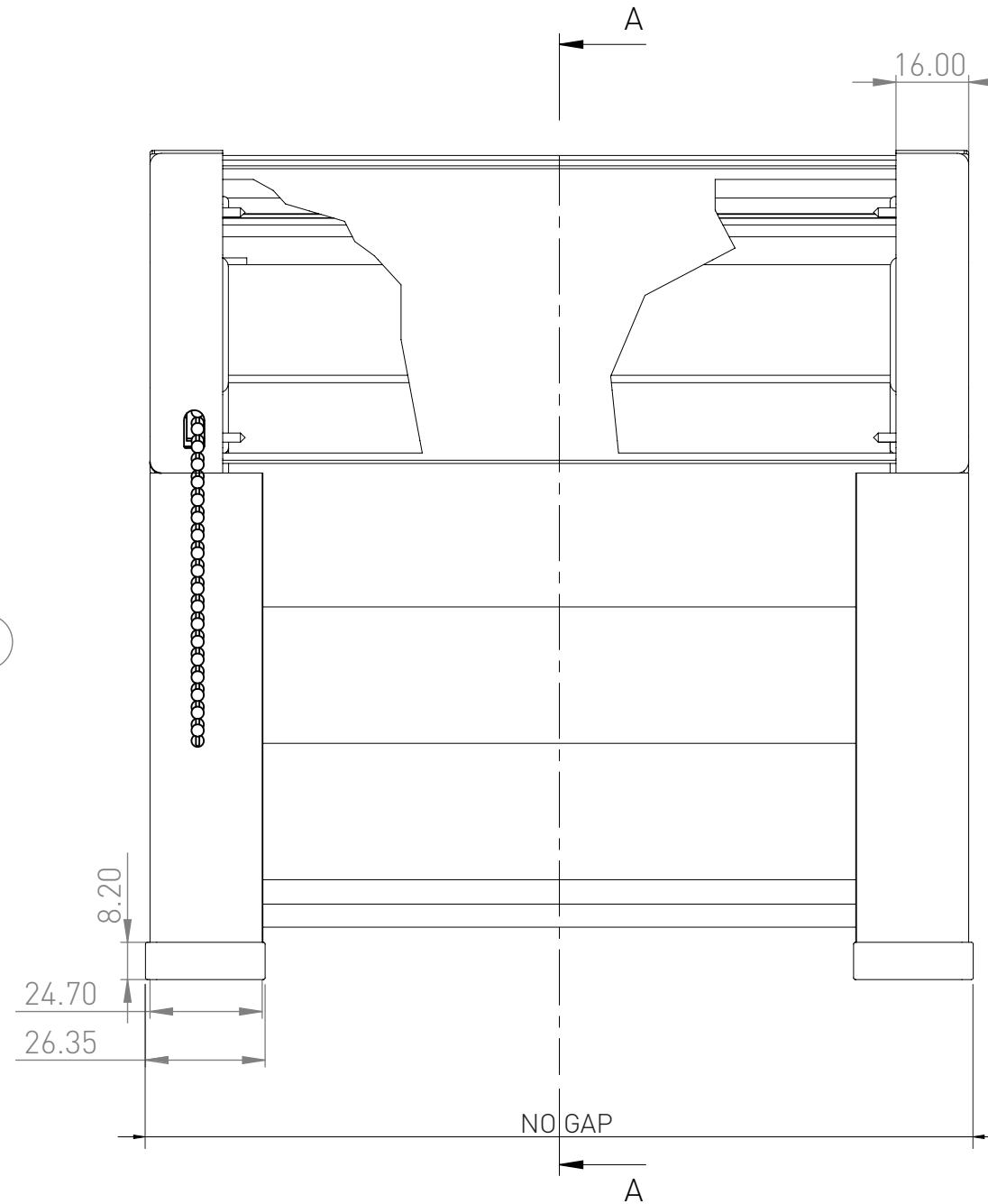
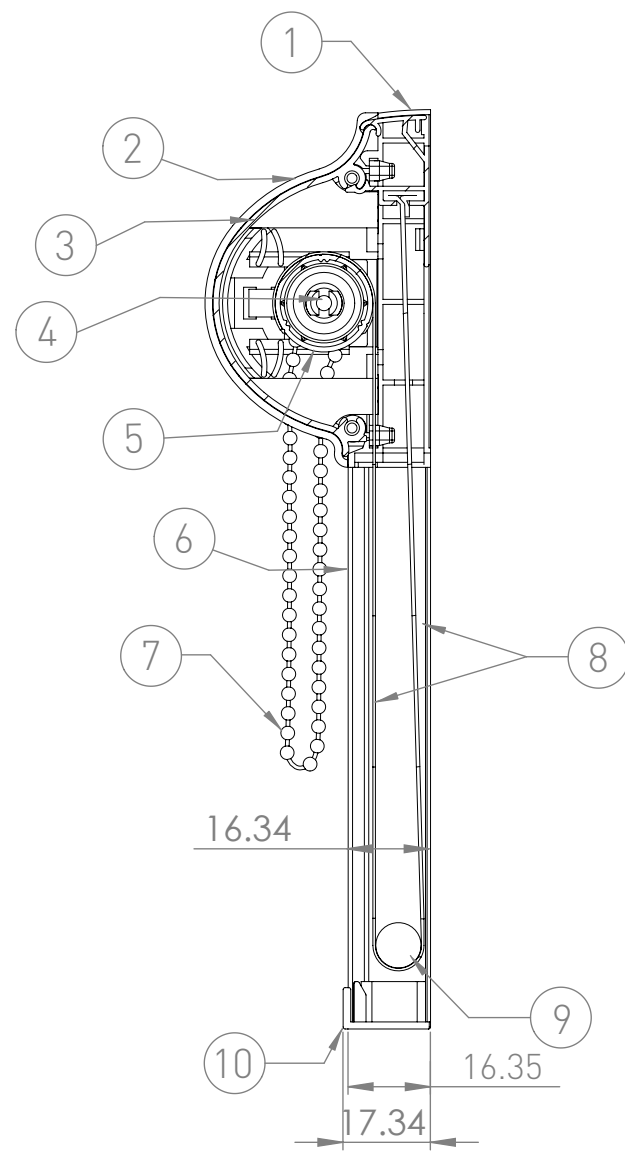


12 11 10 9 8 7 6 5 4 3 2 1

COLORS: WHITE - GREY

- RIGHT SIDE VIEW -

- LEFT SIDE VIEW -



SECTION A-A

- | | |
|----------------------|---------------------------|
| 1.- PLASTIC BRACKET | 6.- "U" SIDE CHANNEL |
| 2.- CASSETTE END CAP | 7.- BALL CHAIN |
| 3.- CASSETTE | 8.- FABRIC |
| 4.- CLUTCH | 9.- WEIGHT BAR |
| 5.- ALUMINUM TUBE | 10.- SIDE CHANNEL END CAP |

Vertilux BLINDS & SHADES

TITLE
FIT - NEOLUX SYSTEM

SHEET 1 OF 1

Measurements are in millimeters

DATE: JUN 2021

12 11 10 9 8 7 6 5 4 3 2 1