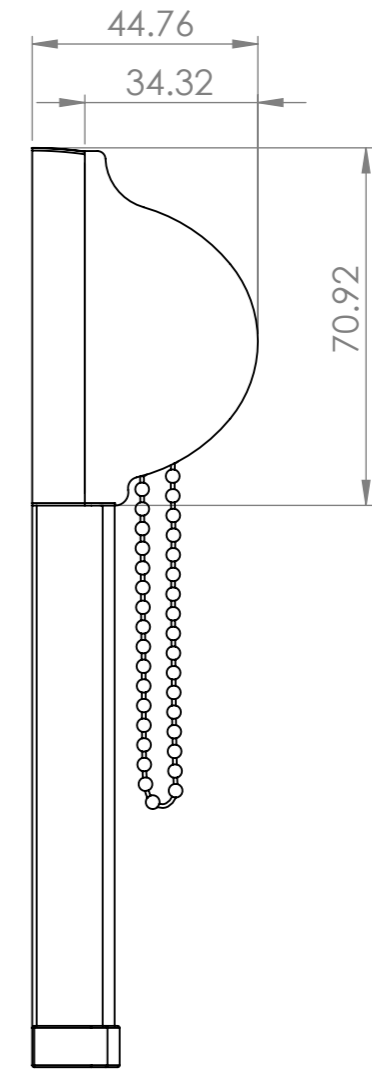
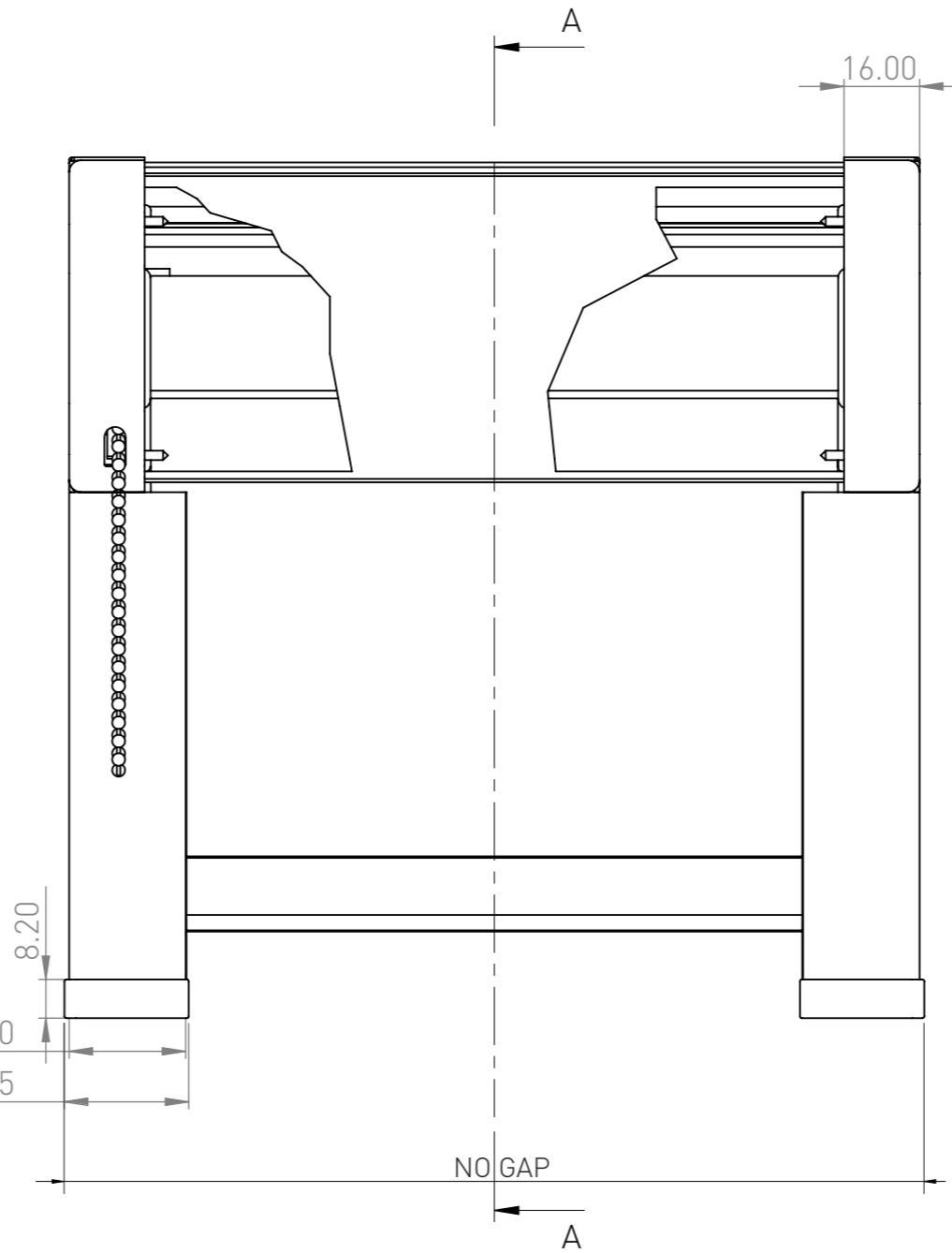
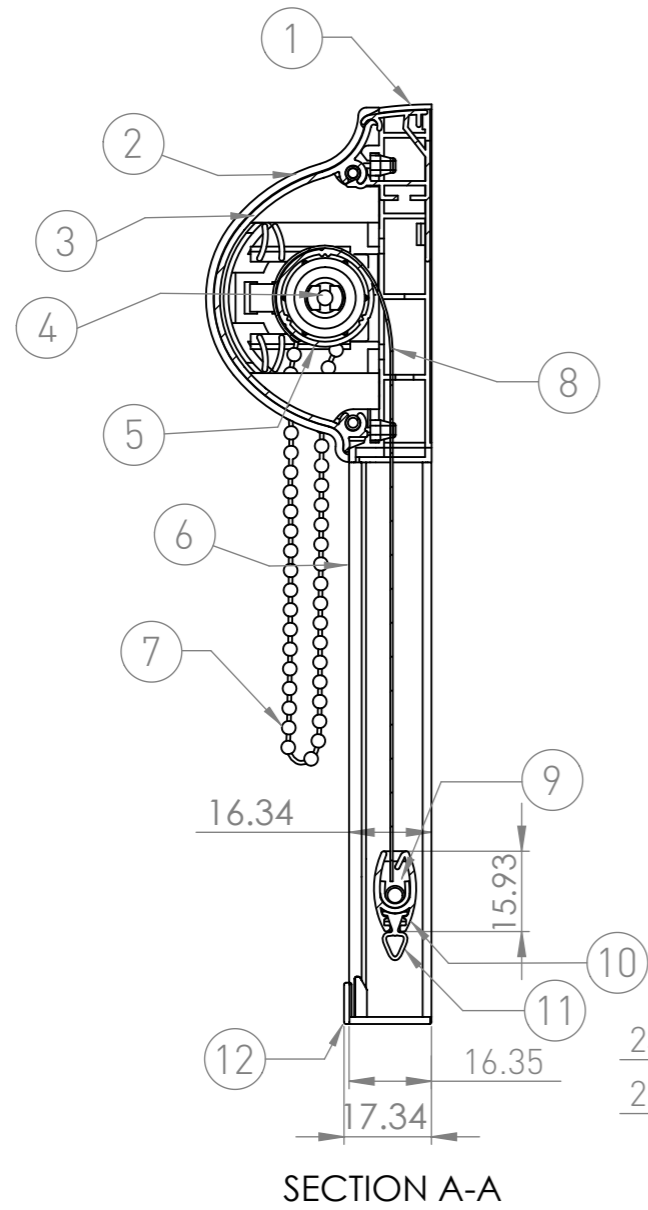


12 11 10 9 8 7 6 5 4 3 2 1

COLORS: WHITE - GREY

- RIGHT SIDE VIEW -

- LEFT SIDE VIEW -



- |                      |                           |
|----------------------|---------------------------|
| 1.- PLASTIC BRACKET  | 7.- BALL CHAIN            |
| 2.- CASSETTE END CAP | 8.- FABRIC                |
| 3.- CASSETTE         | 9.- BOTTOM RAIL END CAP   |
| 4.- CLUTCH           | 10.- BOTTOM RAIL          |
| 5.- ALUMINUM TUBE    | 11.- RUBBER WEATHERSTRIP  |
| 6.- "U" SIDE CHANNEL | 12.- SIDE CHANNEL END CAP |

**Vertilux** BLINDS & SHADES

TITLE  
FIT OUTSIDE MOUNT SYSTEM

DATE: JUN 2021

SHEET 1 OF 1

Measurements are in millimeters

12 11 10 9 8 7 6 5 4 3 2 1