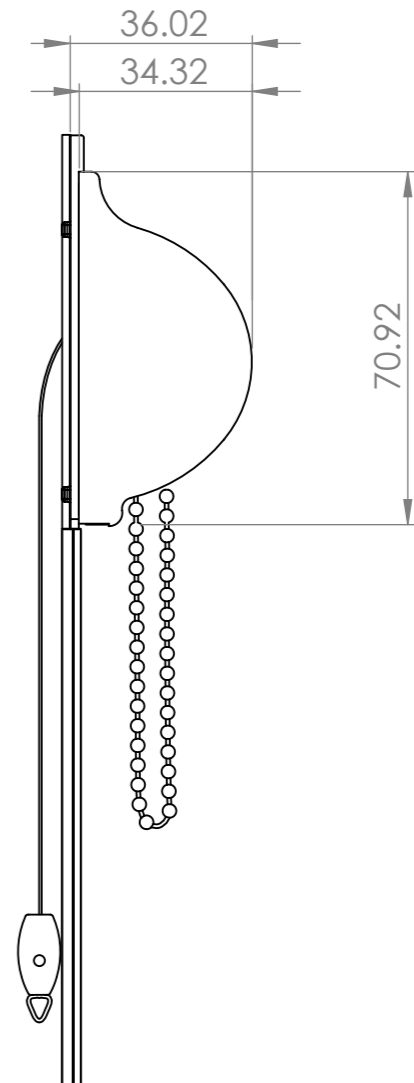
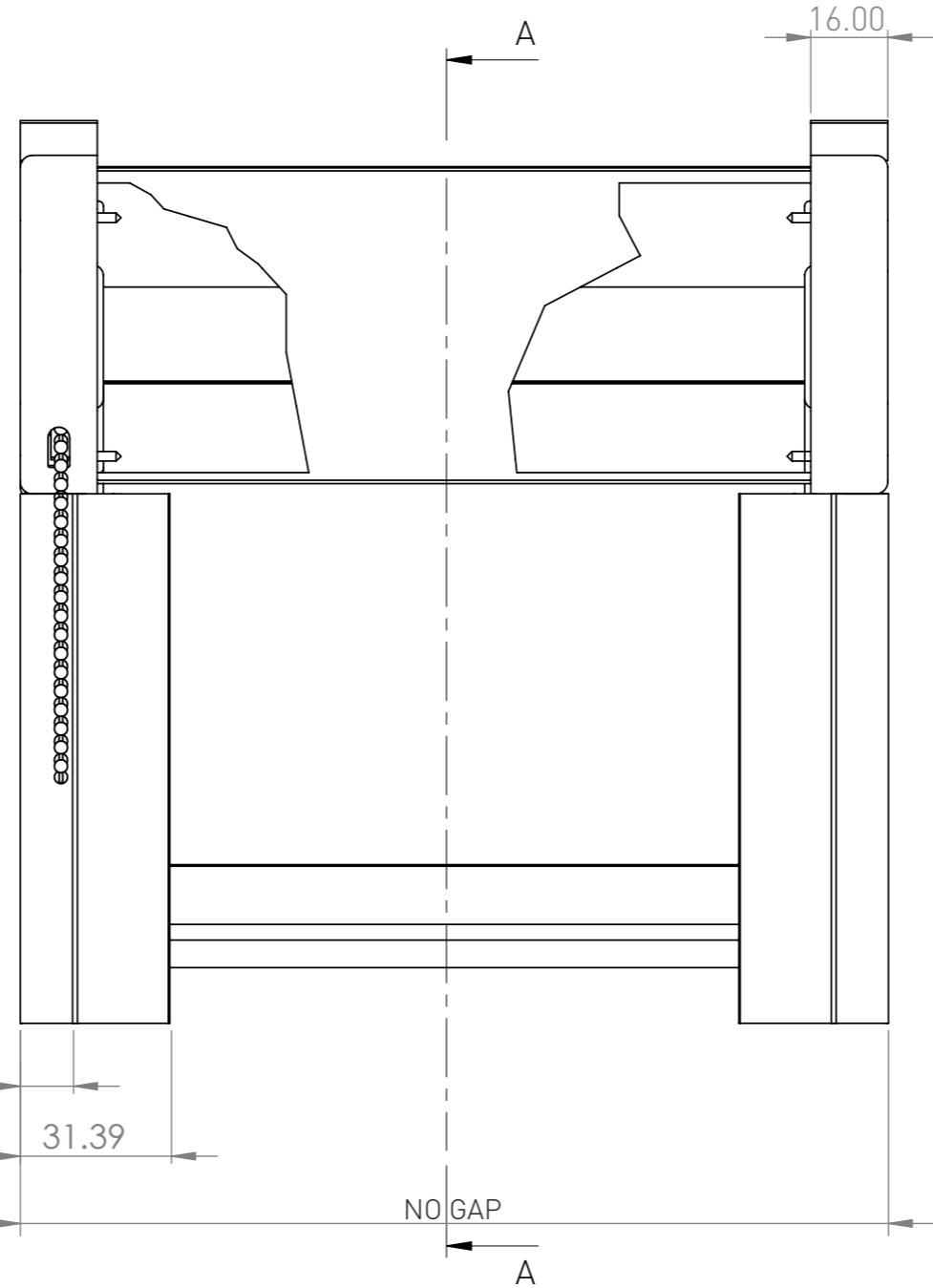
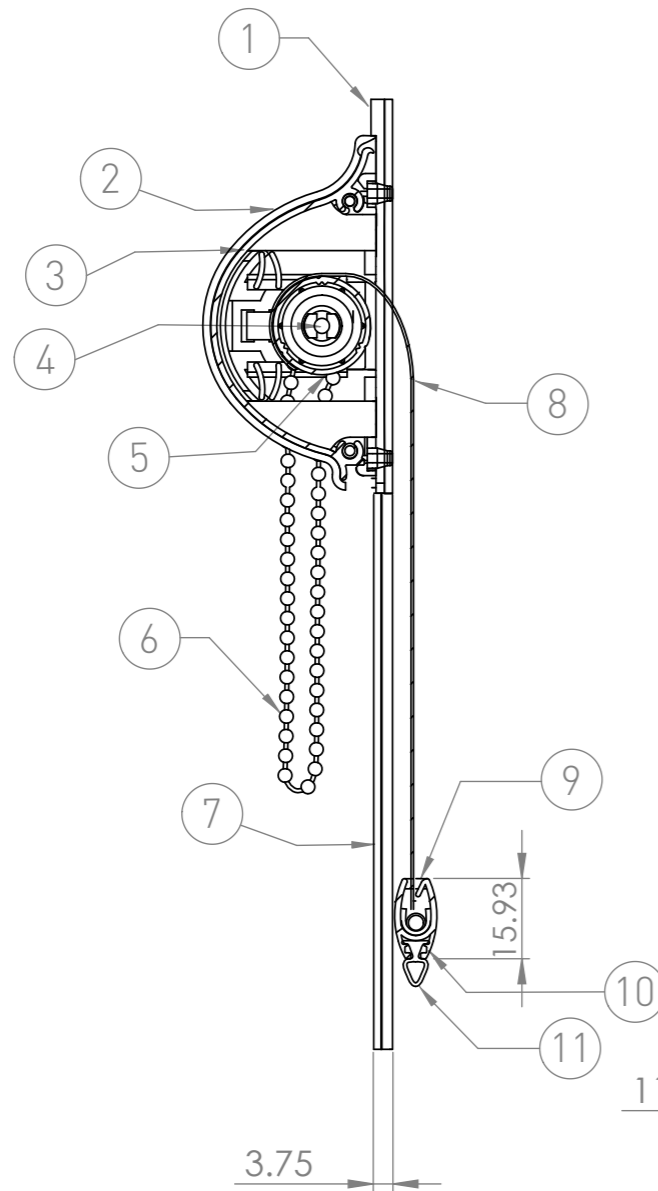


12 11 10 9 8 7 6 5 4 3 2 1

- RIGHT SIDE VIEW -

COLORS: WHITE - GREY

- LEFT SIDE VIEW -



SECTION A-A

- | | |
|----------------------|--------------------------|
| 1.- PLASTIC BRACKET | 7.- FLAT SIDE CHANNEL |
| 2.- CASSETTE END CAP | 8.- FABRIC |
| 3.- CASSETTE | 9.- BOTTOM RAIL END CAP |
| 4.- CLUTCH | 10.- BOTTOM RAIL |
| 5.- ALUMINUM TUBE | 11.- RUBBER WEATHERSTRIP |
| 6.- BALL CHAIN | |

Vertilux BLINDS & SHADES

TITLE
FIT STANDARD SYSTEM

SHEET 1 OF 1

Measurements are in millimeters

DATE: JUN 2021

12 11 10 9 8 7 6 5 4 3 2 1